

STANDARD WIRING DIAGRAM FOR SINGLE PHASE AC ACTUATOR, ON-OFF CONTROL.

THE INFORMATION CONTAINED IN THIS DRAWING IS THE SOLE PROPERTY OF SVF FLOW CONTROLS, INC. ANY REPRODUCTION IN PART OR IN WHOLE WITHOUT THE WRITTEN CONSENT OF SVF FLOW CONTROLS, INC. IS PROHIBITED.

MFG/SUPPLIER

DRAWN BY

DATE

G.U.

09/05/2011

CHECKED

DATE

V.A.

09/05/2011

APPROVED

DATE

S.N.

11/11/2011

SIZE & SERIES ID

N/A

PART NO.

N/A

SVF Flow Controls, Inc.
13560 Larwin Circle • Santa Fe Springs, CA 90670 • Phone: 1.800.783.7836
www.SVF.net

PART NAME:
WIRING DIAGRAM FOR SINGLE PHASE AC ACTUATOR, ON-OFF CONTROL

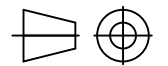
DWG. NO.:
WD-SINGLE PHASE E SERIES ACTUATOR

REV
A

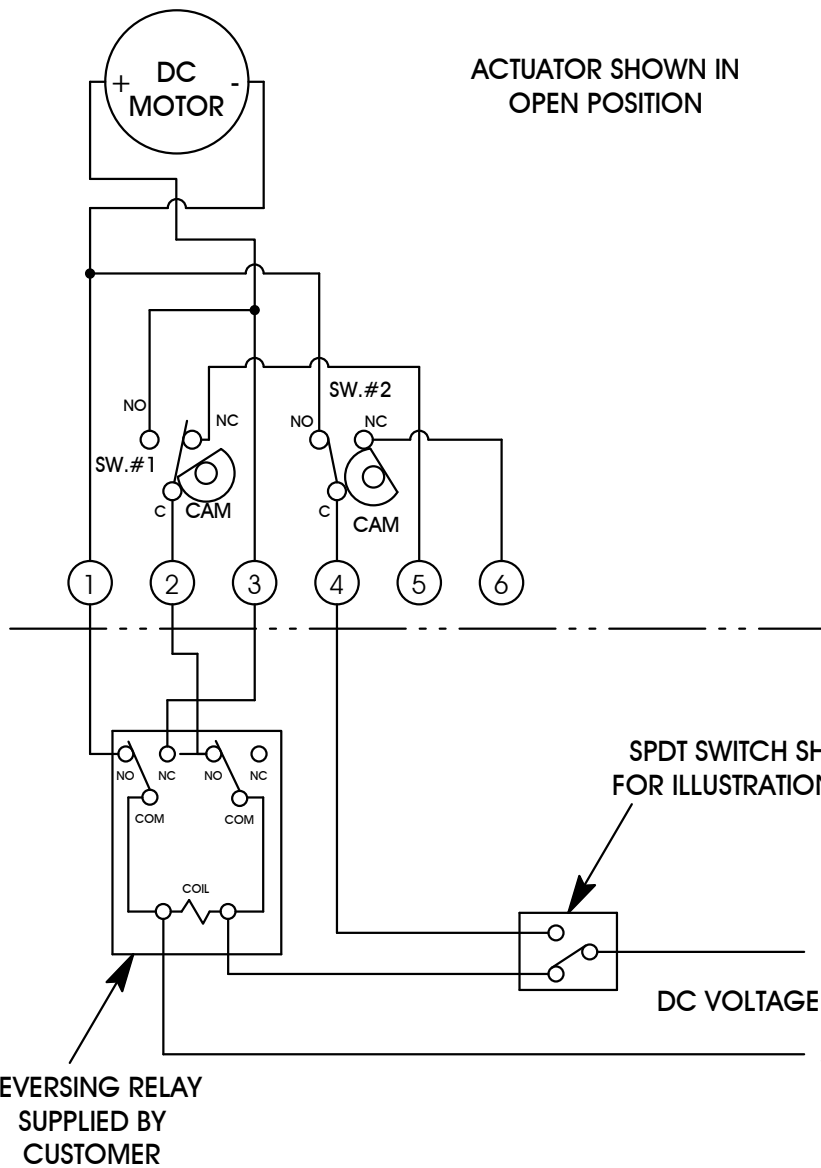
SCALE N.T.S. SHEET 1 OF 1

REVISIONS

REV	ECO	DESCRIPTION	DATE	APPROVED
A		NEW RELEASE - FOR REVIEW	09/05/2011	



ALL DIMENSIONS ARE IN INCHES UNLESS OTHERWISE SPECIFIED.
TOLERANCES:
ANGULAR: + 0°30"
DECIMALS: .XXX=±0.005
.XX =±0.010
.X =±0.10
FRACTIONS: ±0.1



ACTUATOR SHOWN IN
OPEN POSITION

SW. #1
SW. #2

SWITCH #1 - OPEN SWITCH
SWITCH #2 - CLOSE SWITCH

OPERATION:
POWER TO 1 & 2 FOR CCW ROTATION
POWER TO 3 & 4 FOR CW ROTATION
TERMINALS 5 & 6 FOR FIELD LIGHT INDICATION CONNECTION

SPDT SWITCH SHOWN
FOR ILLUSTRATION ONLY

DC VOLTAGE

REVERSING RELAY
SUPPLIED BY
CUSTOMER

WIRING DIAGRAM FOR TWO POSITION S&R SERIES
ELECTRIC ACTUATOR - 12VDC OR 24VDC

THE INFORMATION CONTAINED IN THIS DRAWING IS THE SOLE PROPERTY OF SVF FLOW CONTROLS, INC. ANY REPRODUCTION IN PART OR IN WHOLE WITHOUT THE WRITTEN CONSENT OF SVF FLOW CONTROLS, INC. IS PROHIBITED.

MFG/SUPPLIER

DRAWN BY

DATE

G.U.

09/05/2011

CHECKED

DATE

V.A.

09/05/2011

APPROVED

DATE

S.N.

11/11/2011

SIZE & SERIES ID

N/A

PART NO.

N/A

SVF Flow Controls, Inc.
13560 Larwin Circle • Santa Fe Springs, CA 90670 • Phone: 1.800.783.7836
www.SVF.net

PART NAME:
WIRING DIAGRAM FOR 12VDC/24VDC
TWO POSITION-E SERIES ACTUATOR

DWG. NO.:
WD-12VDC/24VDC-2 POSITION-E SERIES

REV
A

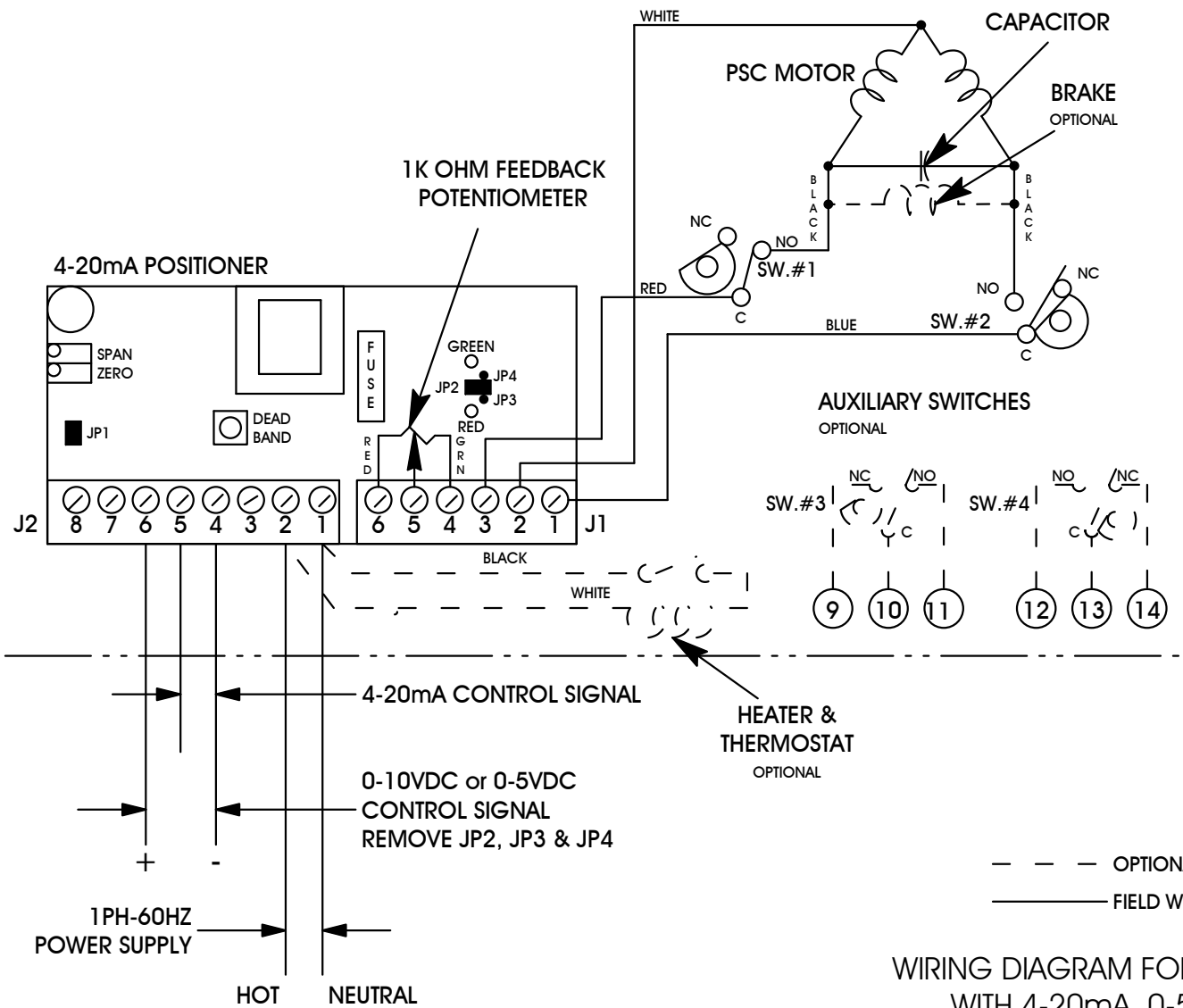
SCALE N.T.S.

SHEET 1 OF 1

REVISIONS

REV	ECO	DESCRIPTION	DATE	APPROVED
A		NEW RELEASE - FOR REVIEW	09/05/2011	.

ALL DIMENSIONS ARE IN INCHES UNLESS OTHERWISE SPECIFIED.
TOLERANCES:
ANGULAR: + 0°30"
DECIMALS: .XXX=±0.005
.XX =±0.010
.X =±0.10
FRACTIONS: ±0.1



SW. #4	1	OPEN
SW. #3	1	CLOSE
SW. #2		OPEN
SW. #1		CLOSE

NOTE:
 ACTUATOR SHIPPED IN OPEN POSITION, 20mA REPRESENTS OPEN POSITION. DO NOT ADJUST FEEDBACK POTENTIOMETER OR LIMIT SWITCHES - THEY ARE FACTORY SET AND DO NOT REQUIRE CALIBRATION. TO CALIBRATE THE OPEN AND CLOSE POSITION USE THE ZERO (4mA) AND SPAN (20mA) TRIM POTENTIOMETERS.

TO CALIBRATE, OPERATE ACTUATOR TO CLOSE POSITION AND ADJUST WITH ZERO TRIM POT, THEN OPERATE TO OPEN POSITION AND SET USING TRIM POT. NO FURTHER CALIBRATION IS NECESSARY.

WIRING DIAGRAM FOR 1Ph/60Hz ELECTRIC ACTUATOR WITH 4-20mA, 0-5VDC or 0-10VDC CONTROL

THE INFORMATION CONTAINED IN THIS DRAWING IS THE SOLE PROPERTY OF SVF FLOW CONTROLS, INC. ANY REPRODUCTION IN PART OR IN WHOLE WITHOUT THE WRITTEN CONSENT OF SVF FLOW CONTROLS, INC. IS PROHIBITED.

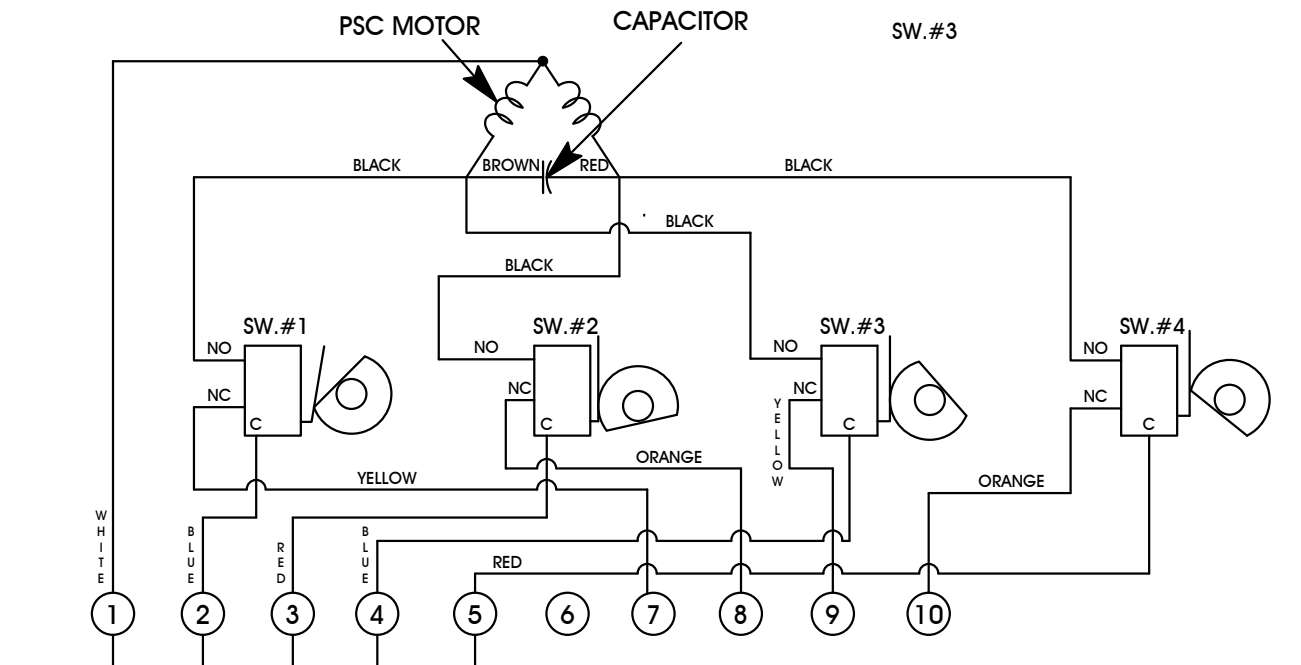
MFG/SUPPLIER	DRAWN BY	DATE
	G.U.	09/05/2011
	CHECKED	DATE
	V.A.	09/05/2011
	APPROVED	DATE
	S.N.	11/11/2011
	SIZE & SERIES ID	N/A
	PART NO.	N/A

SVF Flow Controls, Inc.
 13560 Larwin Circle • Santa Fe Springs, CA 90670 • Phone: 1.800.783.7836
 www.SVF.net

REVISIONS				
REV	ECO	DESCRIPTION	DATE	APPROVED
A		NEW RELEASE - FOR REVIEW	09/05/2011	.

ALL DIMENSIONS ARE IN INCHES UNLESS OTHERWISE SPECIFIED.
 TOLERANCES:
 ANGULAR: +0°30"
 DECIMALS: .XXX=±0.005
 .XX =±0.010
 .X =±0.10
 FRACTIONS: ±0.1

PART NAME: WIRING DIAGRAM FOR E SERIES ACTUATOR 4-20mA CONTROL	
DWG. NO.: WD-4-20mA CONTROL-E SERIES	REV A
SCALE N.T.S.	SHEET 1 OF 1



SW. #3	CCW
SW. #4	CW
SW. #1	CCW
SW. #2	CW

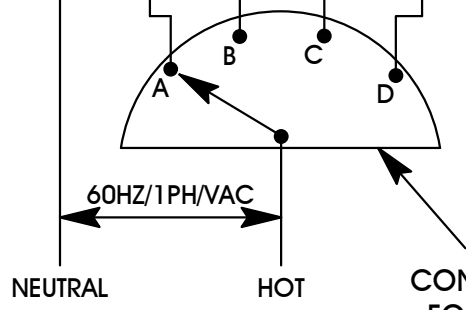
SWITCH LAYOUT

OPERATION:

- POWER TO TERMINAL #1 & #2 POSITIONS SHAFT TO ZERO DEGREE "CCW ROTATION"
- POWER TO TERMINAL #1 & #3 POSITIONS SHAFT TO 180 DEGREE POSITION "CW ROTATION"
- POWER TO TERMINAL #1 & #4 POSITIONS SHAFT TO 90 DEGREE "CCW ROTATION"
- POWER TO TERMINAL #1 & #5 POSITIONS SHAFT TO 90 DEGREE "CW ROTATION"

TERMINALS 7, 8, 9 & 10 ARE FOR LIGHT INDICATION WHEN A LAMP IS CONNECTED BETWEEN CONNECTION AND NEUTRAL.

DO NOT APPLY POWER TO TERMINAL #1 & #3 WITH ACTUATOR IN POSITION 'D' - ACTUATOR WILL OVER TRAVEL.



CONTROL SWITCH SHOWN FOR ILLUSTRATION ONLY

WIRING DIAGRAM FOR 115VAC THREE POSITION ACTUATOR

THE INFORMATION CONTAINED IN THIS DRAWING IS THE SOLE PROPERTY OF SVF FLOW CONTROLS, INC. ANY REPRODUCTION IN PART OR IN WHOLE WITHOUT THE WRITTEN CONSENT OF SVF FLOW CONTROLS, INC. IS PROHIBITED.

MFG/SUPPLIER	DRAWN BY	DATE
	G.U.	09/05/2011
	CHECKED	DATE
	V.A.	09/05/2011
	APPROVED	DATE
	S.N.	11/11/2011
	SIZE & SERIES ID	N/A
	PART NO.	N/A

SVF Flow Controls, Inc.
 13560 Larwin Circle • Santa Fe Springs, CA 90670 • Phone: 1.800.783.7836
 www.SVF.net

REVISIONS				
REV	ECO	DESCRIPTION	DATE	APPROVED
A		NEW RELEASE - FOR REVIEW	09/05/2011	.

ALL DIMENSIONS ARE IN INCHES UNLESS OTHERWISE SPECIFIED.
 TOLERANCES:
 ANGULAR: +0°30"
 DECIMALS: .XXX=±0.005
 .XX =±0.010
 .X =±0.10
 FRACTIONS: ±0.1

PART NAME: WIRING DIAGRAM FOR 115VAC THREE POSITION-E SERIES ACTUATOR	
DWG. NO.: WD-115VAC-3 POSITION-E SERIES	REV A
SCALE N.T.S.	SHEET 1 OF 1