



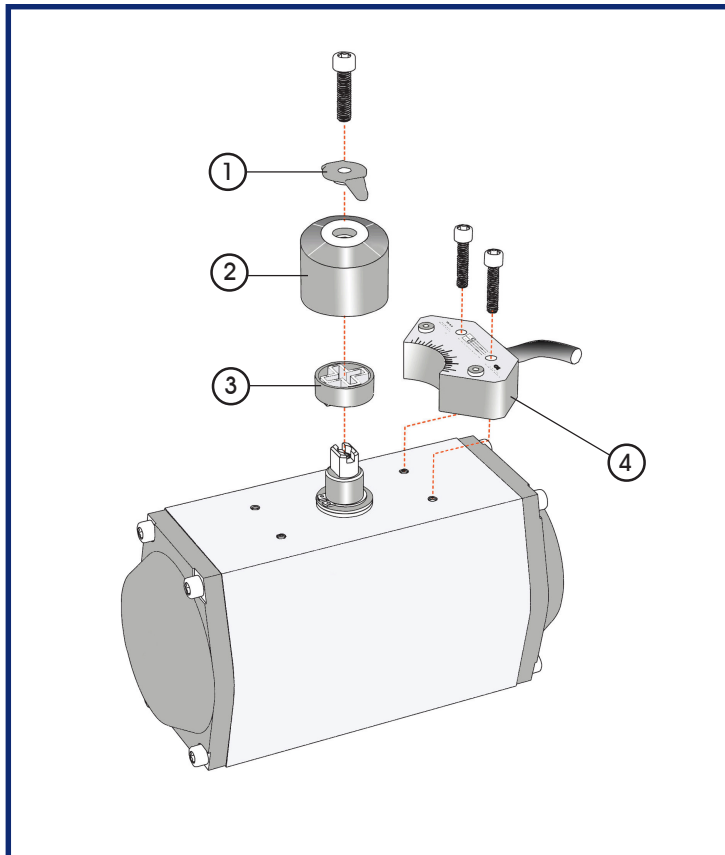
Model ALS-200D Low Profile Valve Position Sensor

The SVF model ALS-200D is a low profile sensor that delivers valve position status in demanding environments (IP-67).

The technology utilizes two reed devices that sense a magnetic target in the Open and Closed positions. The sensor element is SPST N.O. and the rotating component contains the magnetic target as well as a high visibility position indicator.

MODEL ALS-200D DESIGN FEATURES

- ✓ Compact, Low-Profile Design
- ✓ Corrosion Resistant (non-metallic + stainless construction)
- ✓ Weather-proof to IP-67
- ✓ Hermetically sealed reed elements
- ✓ Handles both AC and DC current
- ✓ SPST N.O. contacts
- ✓ Simple mounting to NAMUR standards



MATERIALS OF CONSTRUCTION

ITEM#	DESCRIPTION
1	POSITION INDICATOR
2	MAGNETIC TARGET
3	MOUNTING ADAPTOR
4	ALS-200D DUAL SENSOR

SPECIFICATIONS

Temperature Range	-40°C ~ 85°C -40°F ~ 185°F
Sensor Type	Magnet
Rated Operating Distance	1~6 mm
Switching Element Function	N.O. (Optional N.C.)
Output Type	2-Wire
Switching Frequency	0~4.8 KHz
Position Indicator	0~90°
Working Voltage	5~240V AC/DC
Working Current	0~300mA
Rated Power	10W
Ingress Protection	IP67

What do you need today?™

HIGH PURITY
CleanFLOW
www.CleanFLOW.net

PRO-SPEC
PROCESS SPECIFIC
WWW.PRO-SPEC.NET

QUALITY FLOWS
THROUGH US

www.SVF.net

This Data Sheet issued February 5, 2010 supercedes all previous Data Sheets • [Document #DS-ALS-200D-02-05-2010 • Model ALS-200D Data Sheet - 02/05/2010]

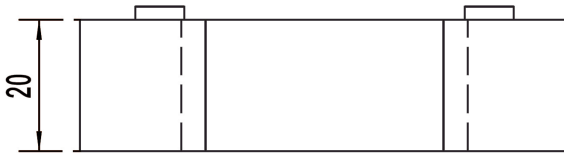
SVF Flow Controls, Inc. • 13560 Larwin Circle • Santa Fe Springs, CA 90670 • Tel: 1.800.783.7836 • FAX: 562.802.3114

Sales@SVF.net • www.SVF.net • © SVF Flow Controls, Inc. • Specifications subject to change without notice

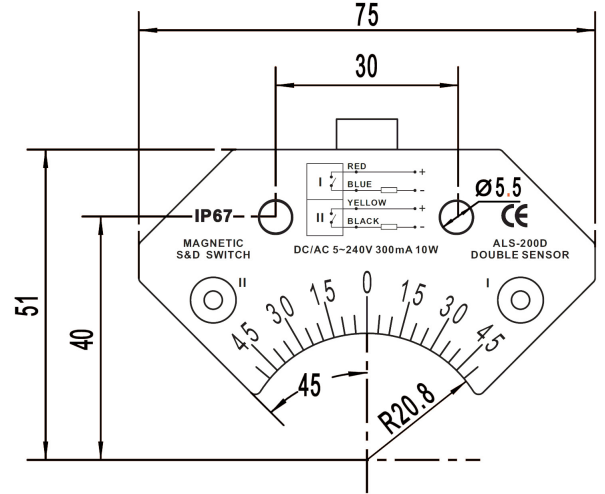
Model ALS-200D Low Profile Valve Position Sensor

ALS-200D DIMENSIONS

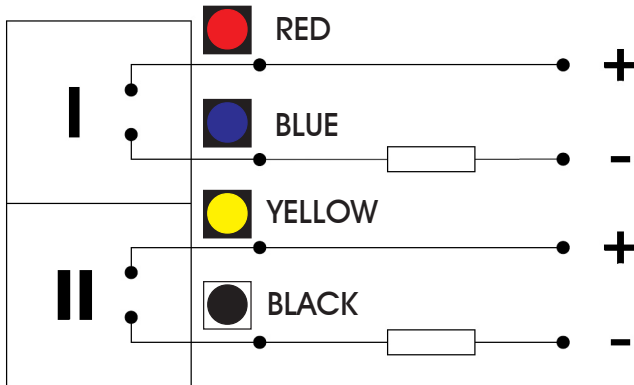
Dimensions shown in mm



- 20mm = 0.78"
- 20.8mm = 0.82"
- 30mm = 1.18"
- 40mm = 1.57"
- 51mm = 2.00"
- 75mm = 2.95"



ALS-200D WIRING DIAGRAM

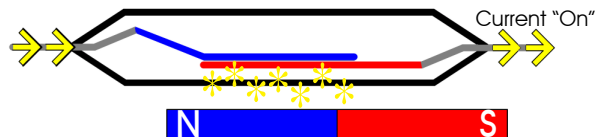


ABOUT REED SWITCHES

A Reed Switch consists of two ferromagnetic blades (generally composed of iron and nickel) hermetically sealed in a glass tube. The blades overlap internally in the glass capsule with a gap between them, and make contact with each other when in the presence of a magnetic field.



1. "Normally Open" Reed Switch



2. Switch closes when magnet is near