

TECHNICAL DATA SHEET

13560 Larwin Circle, Santa Fe Springs, Ca. 90670

(800) 783-7836 (562) 802-2255

Fax (562) 802-3114

svfflowcontrols.com

Email: svf_fci@msn.com



SVF Flow Controls
I N C O R P O R A T E D

REV SERIES

800# WOG REDUCED PORT LATCH LOCK HANDLE ECONOMY VALVES

Size Range:

1/4" - 2"

End Connections:

NPT

Valve Materials:

316 Stainless Steel

Ball and Stem Materials:

316 Stainless Steel

Service Applications:

Hydraulic

Steam

Oxygen

Vacuum

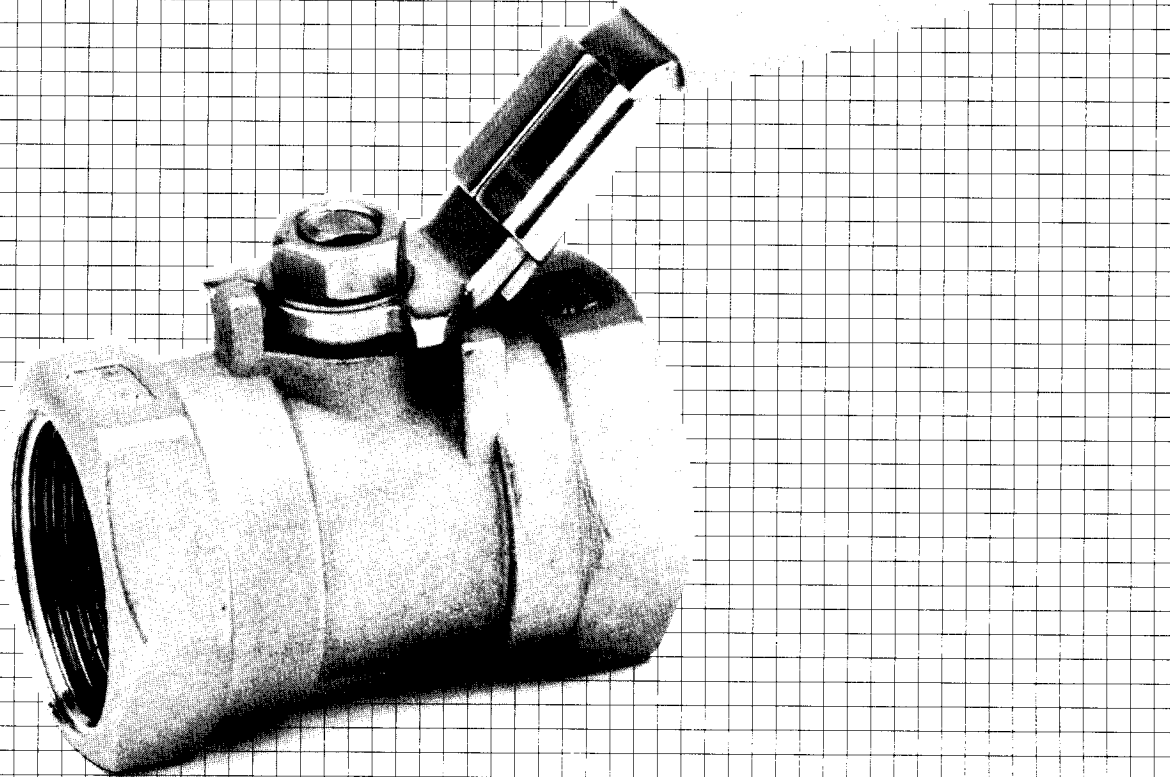
Chemical

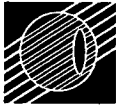
Oil / Gas

Food Processing

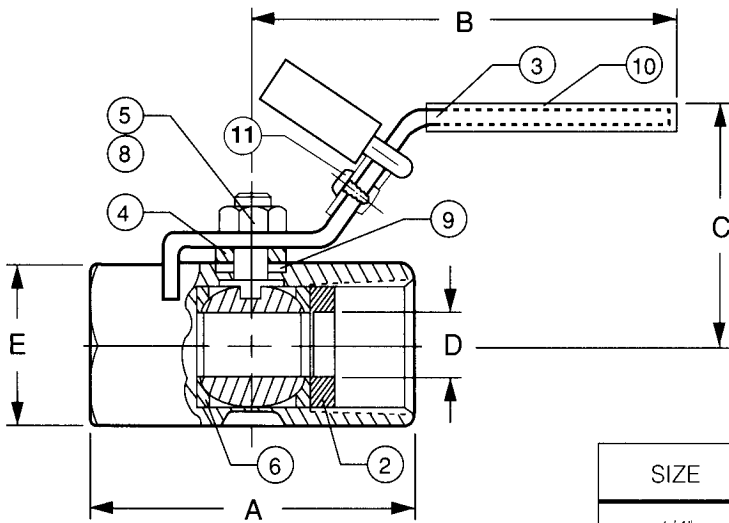
Seat Materials:

Reinforced Teflon





REV VALVE COMPONENTS DIMENSIONS & WEIGHTS



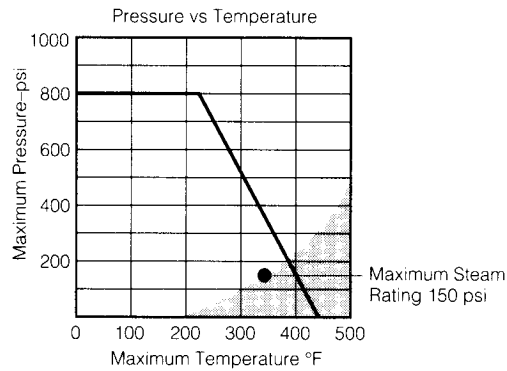
Item No.	Description	Material
1	Body	A351 CF8M
2	Insert	A479 CF8M
3	Handle	A479 304
4	Gland	A479 304
5	Stem	A479 316
6	Seat Ring	Reinforced PTFE
7	Ball	A479 316
8	Handle Nut	A479 304
9	Thrust Washer	PTFE
10	Handle Sleeve	Vinyl
11	Locking Device	S.S.

SIZE	A	B	C	D	E	Weight (Lbs.)
1/4"	1.55	2.40	1.45	0.20	0.71	0.15
3/8"	1.75	3.08	1.46	0.31	0.86	0.25
1/2"	2.25	3.75	1.73	0.37	1.02	0.375
3/4"	2.30	3.75	1.85	0.50	1.26	0.55
1"	2.80	4.47	2.00	0.63	1.52	0.95
1 1/4"	3.10	4.47	2.10	0.77	1.89	1.540
1 1/2"	3.25	5.54	2.63	0.98	2.15	1.87
2"	4.00	5.54	2.85	1.26	2.68	2.86

PERFORMANCE DATA

VALVE SIZE	TEFLON BREAKAWAY TORQUE in/lbs	APPROX. CV FACTOR
1/4"	12.0	1.0
3/8"	12.0	2.5
1/2"	12.0	5.5
3/4"	18.0	10.0
1"	36.0	15.5
1 1/4"	54.0	20.0
1 1/2"	72.0	37.0
2"	84.0	60.0

PRESSURE-TEMPERATURE DATA



NOTE: Due to continuous development of our product; we reserve the right to change the dimensions and information contained in this leaflet as required.

HOW TO ORDER

1" REV 6 6 6 6 R T - SE

SIZE	STYLE	BODY & END MATERIAL	BALL & STEM MATERIAL	SEAT	SEAL	ENDS
1/4" 3/8" 1/2" 3/4" 1" 1 1/4" 1-1/2" 2"	REV Reduced Port Economy Valve	6 - 316 Stainless Steel	6 - 316 Stainless Steel	R - Reinforced Teflon	T - Teflon*	SE - Screwed (NPT)

Teflon® is a Registered TM of EI DUPONT