



**SVF Flow Controls**

I N C O R P O R A T E D

13560 LARWIN CIRCLE, SANTA FE SPRINGS, CA 90670

800-783-7836—FAX 562-802-3114

[www.SVF.net](http://www.SVF.net)

[Sales@SVF.net](mailto:Sales@SVF.net)

# L8 SERIES

## INSTRUMENT VALVE

Size Range:  
1/4" to 1"

End  
Connections:  
Compression  
Ends  
or Mix/Match

Body Material:  
316 Stainless  
Steel

End Materials:  
316 Stainless Steel

Ball & Stem:  
316 SS, Alloy 20,  
Monel, Hast-C

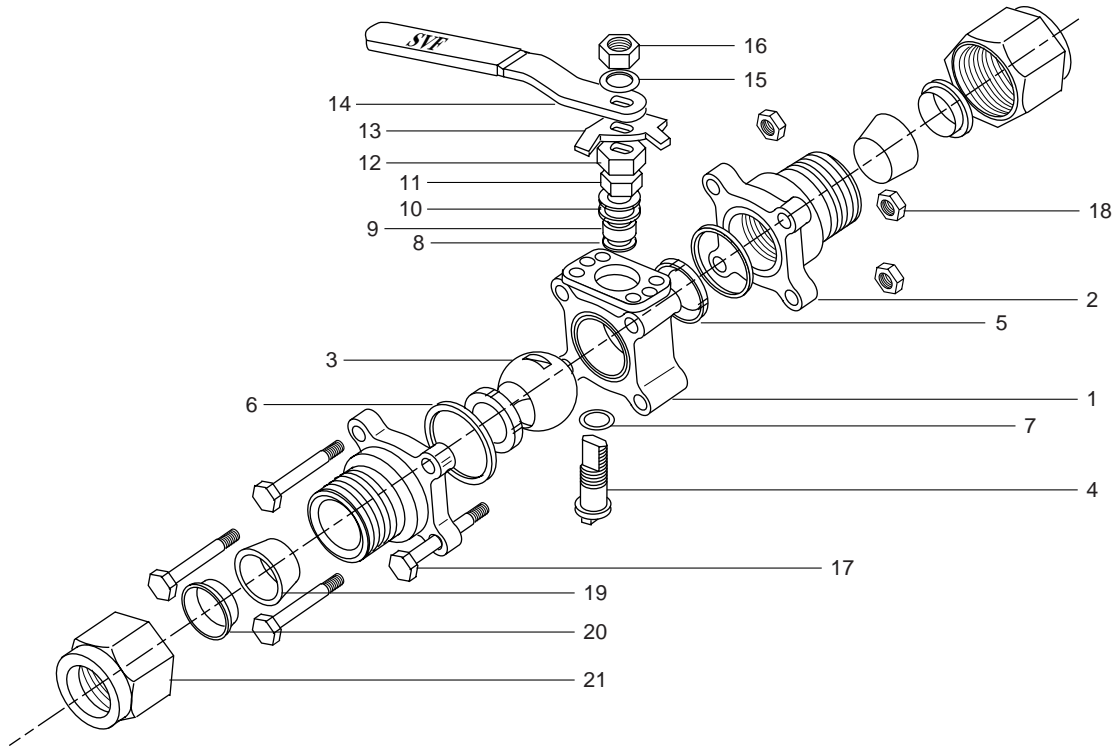
Service Application:  
Tubing Systems  
Gas Systems  
General Industrial

Seats:  
PTFE, RTFE, TFM,  
NRG, DELRIN,  
UHMWPE, PEEK,  
VX1

Body Seals:  
PTFE, EPDM,  
GRAPHOIL,  
UHMWPE, BUNA,  
VITON



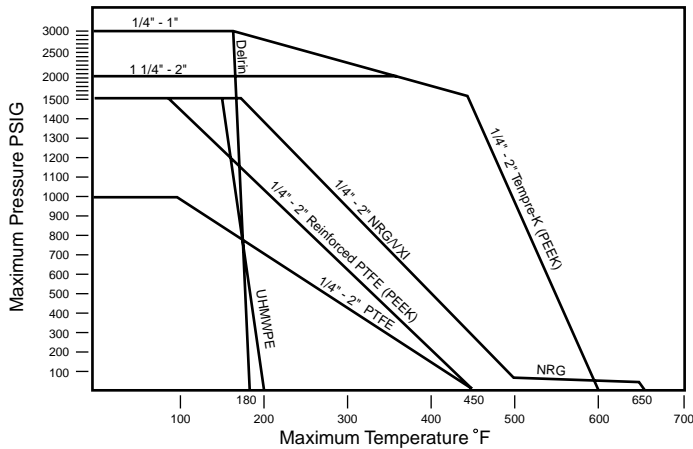
# Series L8 Valve Components



No.	Description	Material
1	Body	316 SS
2	Body Connector/Pipe End	316 SS
3	Ball	316 SS Alloy 20 Monel Hastelloy C
4	Stem	316 SS Alloy 20 Monel Hastelloy C
5	Seat	PTFE RTFE NRG Delrin UHMWPE PEEK VXI
6	Seal	PTFE EPDM Graphoil UHMWPE Buna-N Viton
7	Stem Thrust Ring	NRG
8	Stem Packing	NRG

No.	Description	Material
9	Gland Packing	Stainless Steel
10	Belleville Washer	Stainless Steel
11	Packing Nut 1/2"-1"	Stainless Steel
12	Lock Tab	Stainless Steel
13	Handle Stop	Stainless Steel
14	Handle 1/2"-1"	Stainless Steel
15	Lock Washer	Stainless Steel
16	Handle Nut 1/2"-1"	Stainless Steel
17	Body Connector Bolt	Stainless Steel
18	Body Connector Nut	Stainless Steel
19	Front Ferrule	Stainless Steel
20	Back Ferrule	Stainless Steel
21	Nut	Stainless Steel-Silver Plated

## Pressure-Temperature Data



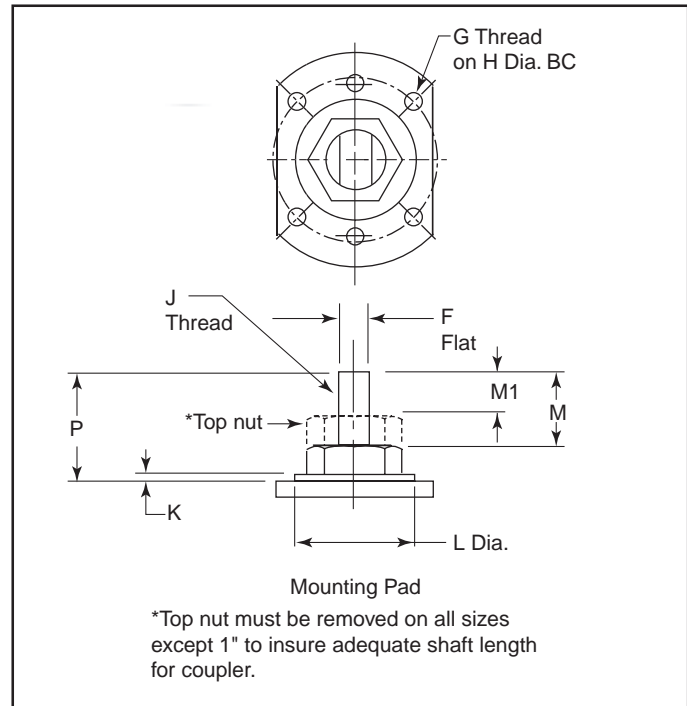
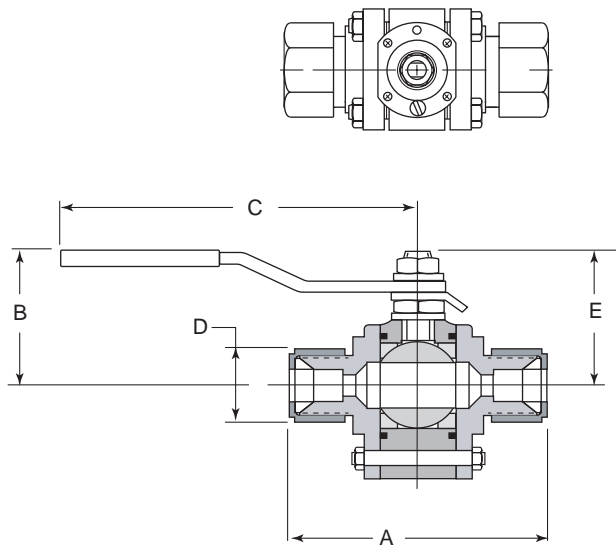
## Operating Torque (Lbf. In.)

Maximum Pressure - Clean, clear fluid

Size	PTFE	RTFE	Delrin	PEEK	UHMWPE	NRG
1/4"	30	35	50	150	50	50
3/8"	30	35	50	150	50	50
1/2"	30	35	50	150	50	50
3/4"	30	50	60	150	75	50
1"	60	125	90	400	100	150

Contact SVF for other conditions.

# Series L8 Dimensions & Weights



## Dimensions & Weights (ins., lbs)

Size	Port	A	B	C	D	E	F	G	H	J	K	L	M	M1	P	Wt.
1/4	0.44	3.03	1.81	4.49	0.56	1.50	0.22	M5	1.42	3/8-24 UNF	0.04	1.00	0.30	-	0.35	1.1
3/8	0.44	3.11	1.81	4.49	0.68	1.50	0.22	M5	1.42	3/8-24 UNF	0.04	1.00	0.30	-	0.35	1.1
1/2	0.44	3.35	1.81	4.49	0.88	1.50	0.22	M5	1.42	3/8-24 UNF	0.04	1.00	0.30	-	0.35	1.1
3/4	0.56	3.74	1.87	4.49	1.25	1.59	0.22	M5	1.42	3/8-24 UNF	0.04	1.00	0.31	-	0.35	1.8
1	0.81	4.53	2.40	5.75	1.50	2.19	0.29	M5	1.65	7/16-20 UNF	0.06	1.23	-	0.31	0.68	3.0

The above dimensions are to only 2 decimal places. SVF is not responsible for mounting kits not supplied by SVF.

## Features & Benefits

### Features

- ▲ Encapsulated body seal
- ▲ Live loaded stem assembly
- ▲ Down stream sealing
- ▲ Heat treated ferrules
- ▲ Silver plated nut
- ▲ Three-piece design
  
- ▲ Quarter-turn operation

### Benefits

- ▲ Exhibits superior fluid containment in high pressure applications.
- ▲ Compensates for thermal expansion and contraction, maintains tight seal.
- ▲ Reduces torque and seat wear for longer life; allows use of smaller actuator.
- ▲ Assures continuous tight seals.
- ▲ Reduces galling on threads, increases valve longevity.
- ▲ Allows for in-line maintenance & pipe end variations. Easily automated with pneumatic or electric actuator.
- ▲ Quick opening. Handle indicates valve position.

### General notes

#### Assembly Instructions:

1. Insert the tubing until it rests against the counterbored pipe end.
2. Verify the nut is tight then, simply tighten the nut 1 1/4 turns.

#### Reassembly Instructions: (Fittings may be repeatedly assembled and disassembled)

1. Insert the tubing end with the previously set ferrules into the counterbored pipe end.
2. Repeat steps 1 and 2 in Assembly Instructions.

#### Construction:

SVF tube fittings are composed of four precision parts: pipe end, nut, front ferrule and back ferrule. By screwing the nut into the pipe end, the front ferrule is tightly compressed against the tube by curling inward. The back ferrule bites into the tube and achieves the connection of tube and fitting, assuring a tight seal.



# Product Line



**Series R8**  
Process Quality



**Series P3**  
High Pressure



**Series N8**  
Steam & Thermal Fluid



**Series L8**  
Instrument Valve



**Series B8**  
Full Port



**Series D6/D7**  
Diverter Valve



**Series E8**  
"Therma-Safe"



**Aero**  
Pneumatic Actuator



**Aero-Lite**  
Light Weight Actuator



**Fire Safe**  
Flanged



**Series SB7-  
CleanFLOW**  
High Purity



**ASI-Position Controllers**



**ProSpec**  
Custom Valves



**Series BEV**  
Full Port



**Series 79**  
Hastelloy-C



**Series 41, B41, B42**  
Flanged



**Series C8**  
Chlorine



**AL6XN**  
Process Quality

## How to Order

1" L8 6 6 6 6 T T LL OPTIONS

SIZE	STYLE	BODY & END MATERIAL	BALL & STEM MATERIAL	SEAT	SEAL	ENDS	OPTIONS
1/4" 3/8" 1/2" 3/4" 1"	L8	6 - 316 Stainless Steel	3 - Monel 6 - 316 Stainless Steel 8 - Monel 9 - Hastelloy C	T - PTFE R - RTFE N - NRG (Steam) D - Delrin V - VXI U - UHMWPE K - Tempre K	T - PTFE B - Buna-N N - Neoprene E - Ethylene Propylene Rubber (EPR, EPDM) V - Viton G - Graphoil	LL - Compression Ends CM - Compression Male Male (without nuts ferrules)	- O2 Cleaning - Locking Device - Oval Handle - Spring Return - Spring Return Handle - Electro-Polish



**SVF Flow Controls**

INCORPORATED

13560 Larwin Circle, Santa Fe Springs, CA 90670 800.783.7836 Fax: 562.802.3114 Sales@SVF.net www.SVF.net

Specifications subject to change without notice. ©2002 SVF Flow Controls Incorporated. Printed In USA.