



Series B41 Rev 3, Class 150, Full Port, Sizes 1/2" ~ 8"

Design Features

- ✓ Built-In ISO 5211 direct mounting pad for easy automation
- ✓ Standard Fire Safe Certification to API-607-5, Anti Static
- ✓ Standard NACE MR0175
- ✓ Produced through a heritage of precision casting methods
- ✓ Standard Seat Material TFM1600 to satisfy applications that have typically required two different seat materials (TFE and RTFE)
- ✓ SupraLon™ Seats for higher temperature, steam, and thermal fluid applications
- ✓ Latch lock handle fully compatible with OSHA clamp for Lock-Out/Tag-Out
- ✓ Live-Loaded Stem Seal

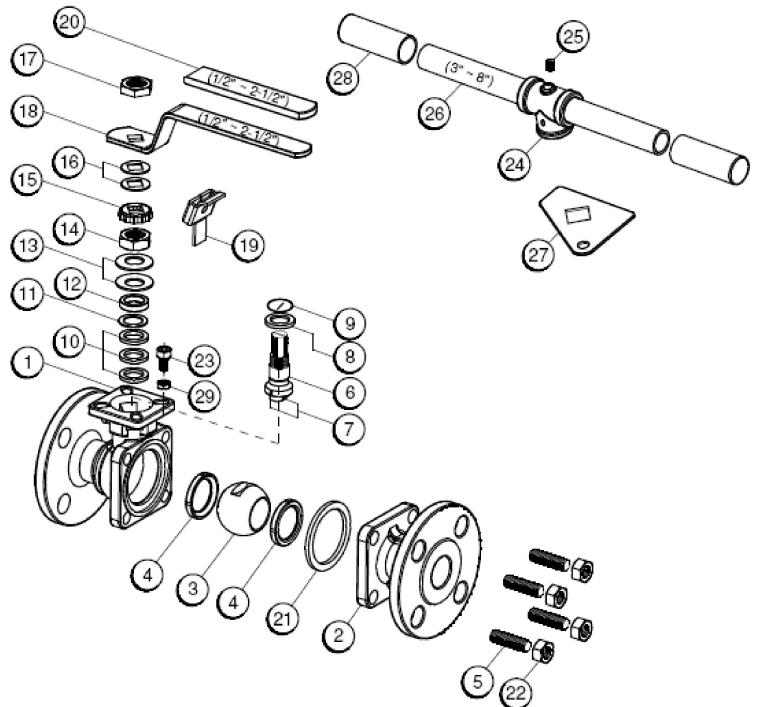


SPECIFICATION STANDARDS OF COMPLIANCE

- ☑ Design - ASME B16.34, NACE MR0175
- ☑ Face to Face: ASME B16.10
- ☑ End Flange: ASME B16.5
- ☑ Wall Thickness: ASME B16.34
- ☑ Fire Safe: API 607 5th 2005, ISO 10497
- ☑ Inspection & Testing: API 598, and optional API 6D

Materials of Construction

ITEM #	PART NAME	MATERIALS	
1	Body	A351-CF8M	A216-WCB
2	End Cap	A351-CF8M	A216-WCB
3	Ball	A351-CF8M	
4	Ball Seat	TFM1600	SupraLon™
5	Body Bolt	A193-B8	
6	Stem	SUS316	
7	Anti-Static Device	SUS316	
8	Thrust Washer	SupraLon™	
9	O-Ring	VITON®	
10	V-Ring Packing	GRAFOIL®	PTFE
11	Bushing	SUS304	
12	Gland	SUS316	
13	Belleville Washer	SUS301	
14	Stem Nut	A194-8	
15	Lock Tab	SUS304	
16	Handle Gland	SUS304	
17	Handle Nut	A194-8	
18	Handle (1/2" ~ 2-1/2")	SUS304	
19	Lock Device (1/2" ~ 2-1/2")	SUS304	
20	Handle Sleeve (1/2" ~ 2-1/2")	VINYL PLASTIC	
21	Body Gasket	316SS+GRAFOIL®	PTFE
22	Bolt Nut	A194-8	
23	Stop Bolt	A193-B8	
24	Handle Adapter (3" ~ 8")	A351-CF8	
25	Set Screw (3" ~ 8")	A193-B8	
26	Pipe Handle (3" ~ 8")	SUS304	
27	Triangular Stopper (3" ~ 8")	SUS304	
28	Pipe Handle Sleeve (3" ~ 8")	VINYL PLASTIC	
29	Stop Nut	A194-8	



Document #B41-R03-0709 [Series B41 Rev 3 Data Sheet - 07/09/2009]

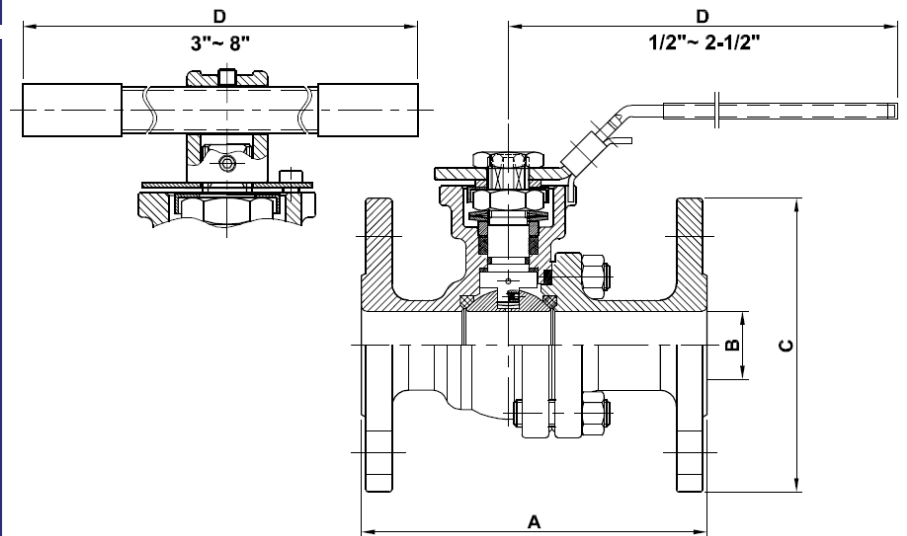
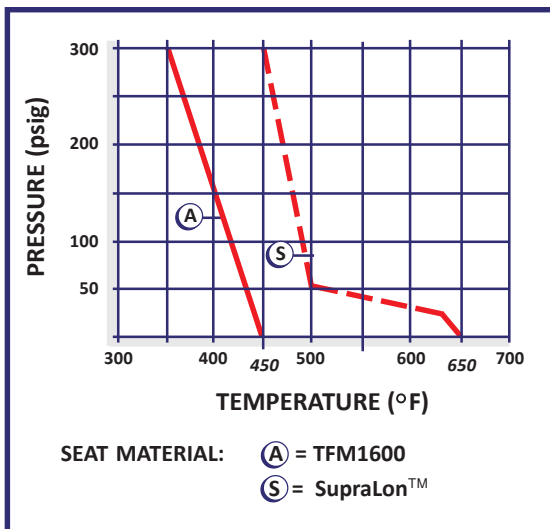


Series B41 Rev 3, Class 150, Full Port, Sizes 1/2" ~ 8"

Dimensions, Weight, Cv, Torque

Size	A ← (Dimensions shown in inches) →	B	C	D	Wt. (lbs)	Cv	Torque @ 285 psig	
							TFM 1600	SupraLon™
1/2"	4.25	0.59	3.50	5.71	4	25	72	91
3/4"	4.62	0.79	3.88	5.71	5	45	81	98
1"	5.00	0.98	4.25	6.89	6	85	130	172
1- 1/2"	6.50	1.50	5.00	7.48	13	200	299	368
2"	7.00	1.97	6.00	7.48	24	320	371	460
2 - 1/2"	7.50	2.48	7.00	10.43	30	450	598	728
3"	8.00	2.99	7.50	11.81	38	600	988	1209
4"	9.00	3.94	9.00	15.75	69	1100	1508	1846
6"	15.50	5.91	11.00	31.50	161	2600	4160	5200
8"	18.00	7.87	13.50	31.50	277	4200	6500	8060

PRESSURE/TEMPERATURE CHART



Document #B41-R03-0709 [Series B41 Rev 3 Data Sheet - 07/09/2009]

How To Order

SERIES	BODY	SEATS	SEALS	REV DESIGNATION	MOUNT	SIZE	
B41 = Full Port	4 = CS	A = TFM1600	G = GRAFOIL®	R3 = Rev3	P = Direct Mount	05 = 1/2"	25 = 2-1/2"
	6 = SS	S = SupraLon™	T = TFE			07 = 3/4"	30 = 3"
						10 = 1"	40 = 4"
						15 = 1-1/2"	60 = 6"
						20 = 2"	80 = 8"
<i>Example: B41</i>	6	S	T	R3	P	05 (Order B416STR3P05)	