

SVF Flow Controls
I N C O R P O R A T E D

13560 Larwin Circle, Santa Fe Springs, Ca. 90670
(800) 783-7836 (562) 802-2255
Fax (562) 802-3114
NetSite www.SVF.net
E-mail Sales @ SVF.net

BEV SERIES

**1000 WOG FULL PORT
LATCH LOCK HANDLE
ECONOMY VALVES**

Size Range:

1/4" - 3"

End Connections:

NPT

Valve Material:

316 Stainless Steel

Seat Material:

Reinforced Teflon

Ball and Stem Material:

316 Stainless Steel

Service Applications:

Hydraulic

Chemical

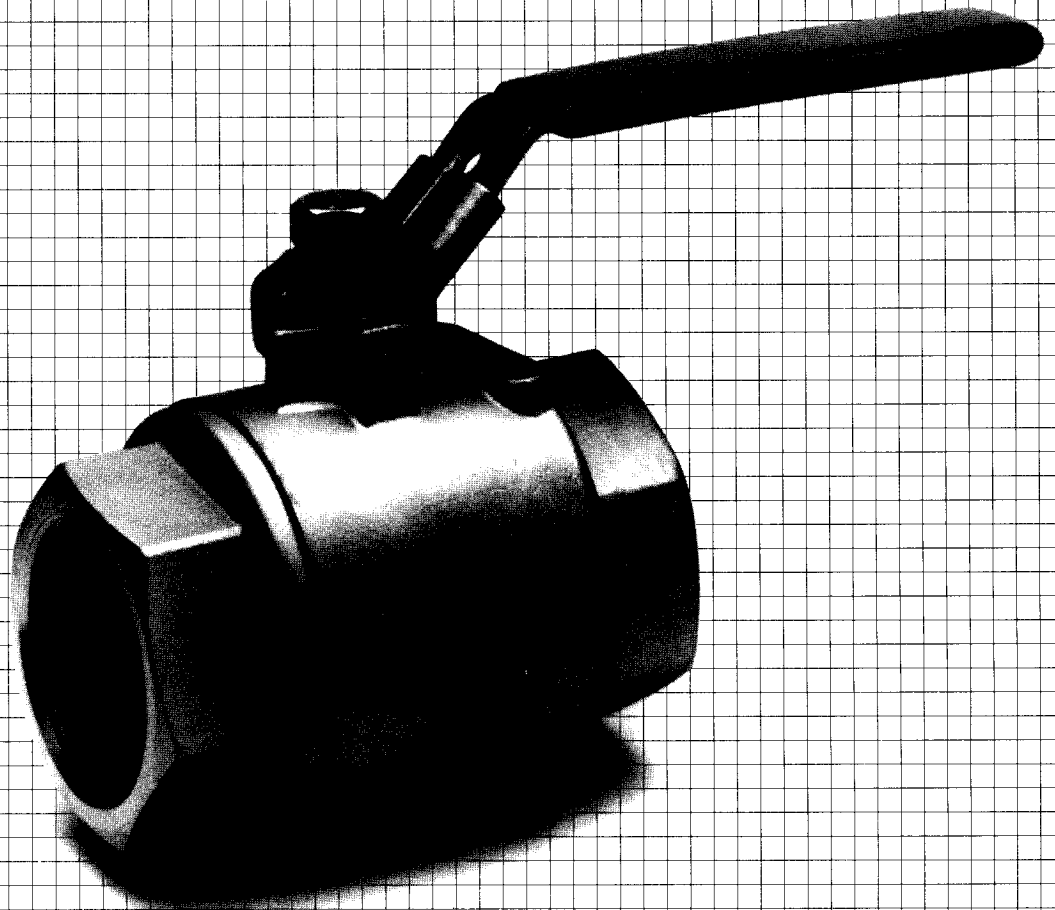
Steam

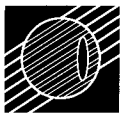
Oil / Gas

Oxygen

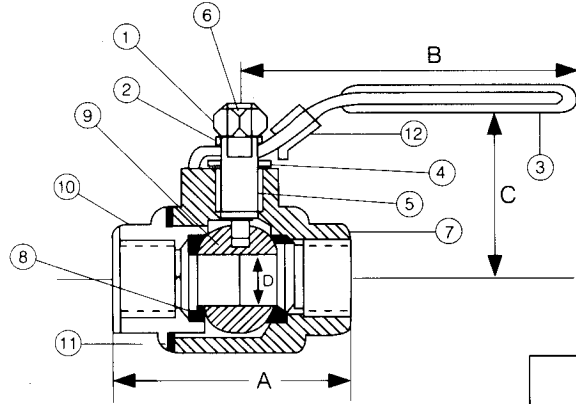
Vacuum

Food Processing



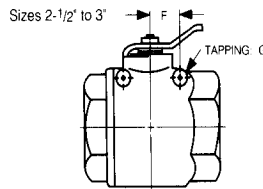
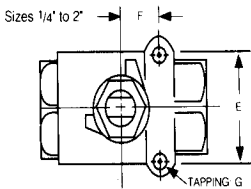


**BEV VALVE COMPONENTS
DIMENSIONS & WEIGHTS**



Item	Qty.	Designation	Material
1	1	Nut	AISI 304
2	1	Washer	AISI 304
3	1	Handle	AISI 304
4	1	Packing Gland	AISI 316
5	4	Seal	RTFE
6	1	Stem	AISI 316
7	1	Body	ASTM A351 GR, CF8M
8	2	Seat	RTFE
9	1	Ball	AISI 316
10	1	End Cap	ASTM A351 GR, CF8M
11	1	Body Seal	TFE
12	1	Latch Lock	AISI 304

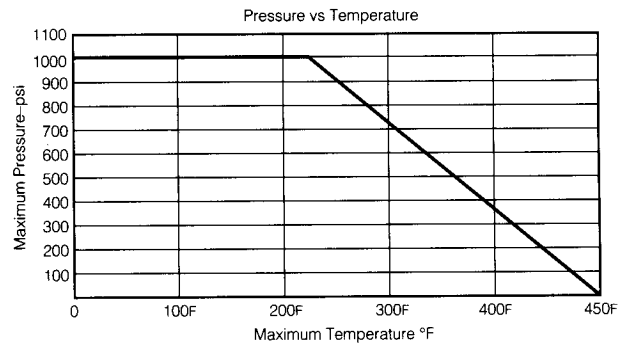
SIZE	A	B	C	D	E	F	Weight (Lbs.)
1/4"	2.40	4.25	2.00	0.45	1.125	.50	.75
3/8"	2.45	4.25	2.00	0.50	1.125	.50	.75
1/2"	2.45	4.50	2.10	0.59	1.125	.50	.75
3/4"	3.00	5.00	2.20	0.78	1.375	.87	1.75
1"	3.60	6.50	2.70	1.00	1.375	.87	2.33
1-1/4"	4.00	6.75	3.00	1.26	1.500	.93	3.75
1-1/2"	4.65	7.60	3.30	1.50	1.500	.93	5.00
2"	5.45	7.60	3.80	2.00	1.500	1.38	8.75
2-1/2"	6.50	9.80	5.40	2.55	--	1.38	15.65
3"	7.60	9.80	5.80	3.15	--	1.38	26.00



PERFORMANCE DATA

VALVE SIZE	BREAKAWAY TORQUE Lbs.	APPROX. CV U.S. GPM
1/4", 3/8"	54	6
1/2"	65	12
3/4"	100	32
1"	200	57
1-1/4"	280	80
1-1/2"	350	104
2"	500	240
2-1/2"	800	320
3"	1700	580

PRESSURE-TEMPERATURE DATA



HOW TO ORDER

1" BEV 6 6 6 6 R T - SE

SIZE	STYLE	BODY & END MATERIAL	BALL & STEM MATERIAL	SEAT	SEAL	ENDS
1/4" 3/8" 1/2" 3/4" 1" 1-1/4" 1-1/2" 2" 2-1/2" 3	BEV Full Port Economy Valve	6 - 316 Stainless Steel	6 - 316 Stainless Steel	R - Reinforced Teflon®	T - Teflon®	SE - Screwed (NPT)

NOTE: Due to continuous development of our product, we reserve the right to change the dimensions and information contained in this leaflet as required.

Teflon® is a Registered TM of EI DUPONT