



BEV BRASS

FULL PORT ECONOMY VALVES

Size Range:

1/2" - 4"

End Connections:

NPT

Valve Material:

Brass - Nickel Plated

Seat Material:

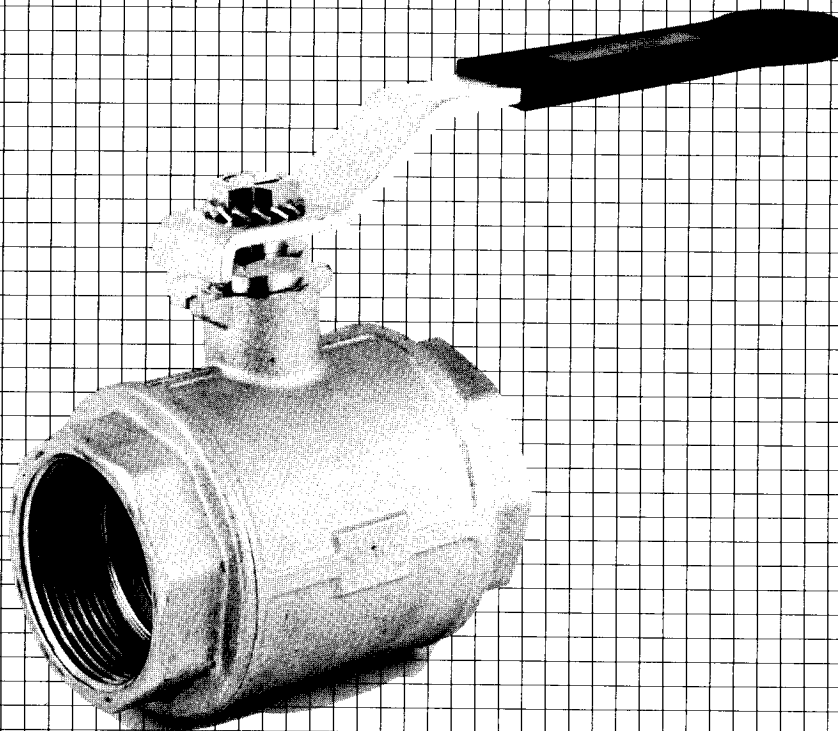
Teflon

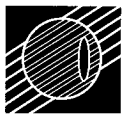
Ball and Stem Material:

Brass - Hard Chrome

Service Applications:

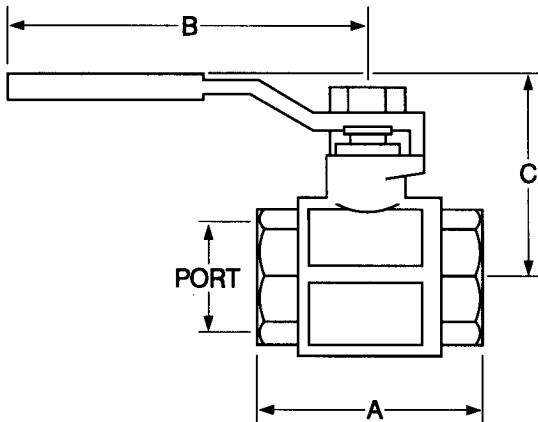
Steam Water Oil Gas





DESIGN	Full port - 2 piece ball valve							
SIZE RANGE	1/4" - 4"							
CONSTRUCTION MATERIALS	<ul style="list-style-type: none"> • Body - Plug Hot pressed brass - Nickel plated • Ball Hard chrome brass • Seats and stem seals PTFE • Lever Galvanized steel plate 							
PERFORMANCES	<ul style="list-style-type: none"> • Maximum Working pressure 	<table border="0"> <tr> <td>1/4 - 2</td> <td>2 1/2 - 3 - 4</td> </tr> <tr> <td>600 WOG</td> <td>150 WOG</td> </tr> <tr> <td>150 WSP</td> <td>50 WSP</td> </tr> </table>	1/4 - 2	2 1/2 - 3 - 4	600 WOG	150 WOG	150 WSP	50 WSP
1/4 - 2	2 1/2 - 3 - 4							
600 WOG	150 WOG							
150 WSP	50 WSP							
<ul style="list-style-type: none"> • Maximum Working temperature 	-20° F to 360° F							
CONNECTIONS	NPT Threaded ends							

DIMENSIONAL DATA



SIZE	B	A	C	Port	Weights
1/4"	4"	1-3/4"	1-7/8"	3/8"	.3
3/8"	4"	1-3/4"	1-7/8"	3/8"	.3
1/2"	4"	2"	2"	1/2"	.5
3/4"	4"	2-1/4"	2"	7/8"	.7
1"	4-3/4"	2-5/8"	2-3/8"	1"	1.1
1-1/4"	4-3/4"	3-1/8"	2-1/2"	1-1/4"	1.8
1-1/2"	6-1/4"	3-3/4"	3-3/8"	1-1/2"	2.9
2"	6-1/4"	4-3/8"	3-1/2"	2"	4.8
2-1/2"	10-1/8"	5-1/2"	4-1/2"	2-3/8"	9.2
3"	10-1/8"	6-1/4"	4-7/8"	3"	13.8
4"	10-1/8"	7-3/8"	5-3/8"	3-3/4"	21.8

Dimensions in inches and weights in pounds.

HOW TO ORDER

SIZE	STYLE	BODY & END MATERIAL	BALL & STEM MATERIAL	SEAT	SEAL	ENDS
1/4" 3/8" 1/2" 3/4" 1" 1-1/4" 1-1/2" 2" 2-1/2" 3" 4"	BEV Full Port Economy Valve	I - BRASS	I - BRASS	T - Teflon®	T - Teflon®	SE - Screwed (NPT)

1" BEV | I | I | I | T | T - SE

Due to continuous development of our product range, we reserve the right to change the dimensions contained in this leaflet as required.