

***B41-rev2 Full Port Flanged Fire Safe Valves***

**Design Features**

**SIZE RANGE: ½" to 10"**

- Fire Safe to API-607-5
- Full Ported
- ANSI 150
- Live-loaded stem seals to comply with the latest EPA mandates
- ISO-5211 mounting pad to facilitate actuator attachment
- Blow out proof stem
- Locking Device helps prevent accidental operation
- All materials comply with applicable ASTM material specifications
- Material Test Reports available upon request
- Optional seat materials include: Carbon/Glass blend and TFM
- Optional body materials include: Alloy-20, Hastelloy-C



***Full Ported  
Anti-Static, Fire Safe***

***B41-rev2*** valves represent the next generation of superior quality, flanged ball valves that offer Fire Safe operation (according to API-607-5) and are ideally suited for the growing requirement for reliable automation employing ISO-5211 dimensions.

**SPECIFICATIONS**

**Service:**

Compatible liquids and gases

**Body:** 2-Piece, Carbon or Stainless

**Line Size:** ½" to 10" (Full Ported)

**End Connections:** ANSI 150#

**Pressure Limits:** According to ANSI 150 ratings

**Wetted Materials:**

Body, Ends – (WCB or 316 SS CF8M)

Ball, Stem – (316 SS CF8M)

Seats, TFM, Opt.: SupraLon

Seals: Grafoil/304SS (Spiral Wound)

Opt.: SupraLon

**Temperature Limits:**

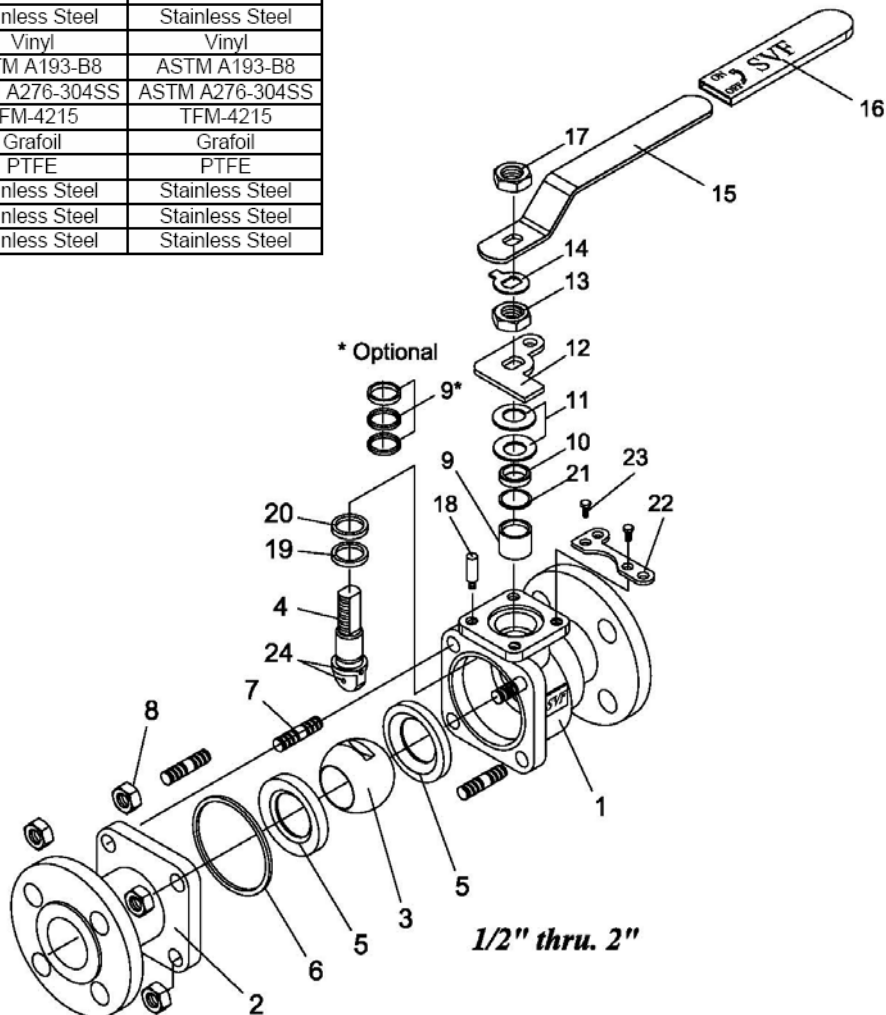
Up to 600°F based on seating materials and Fluid Pressure

SVF Series B41-rev2 Flanged Fire Safe

## Valve Components 1/2" to 2"

### Valve Components 1/2" to 2"

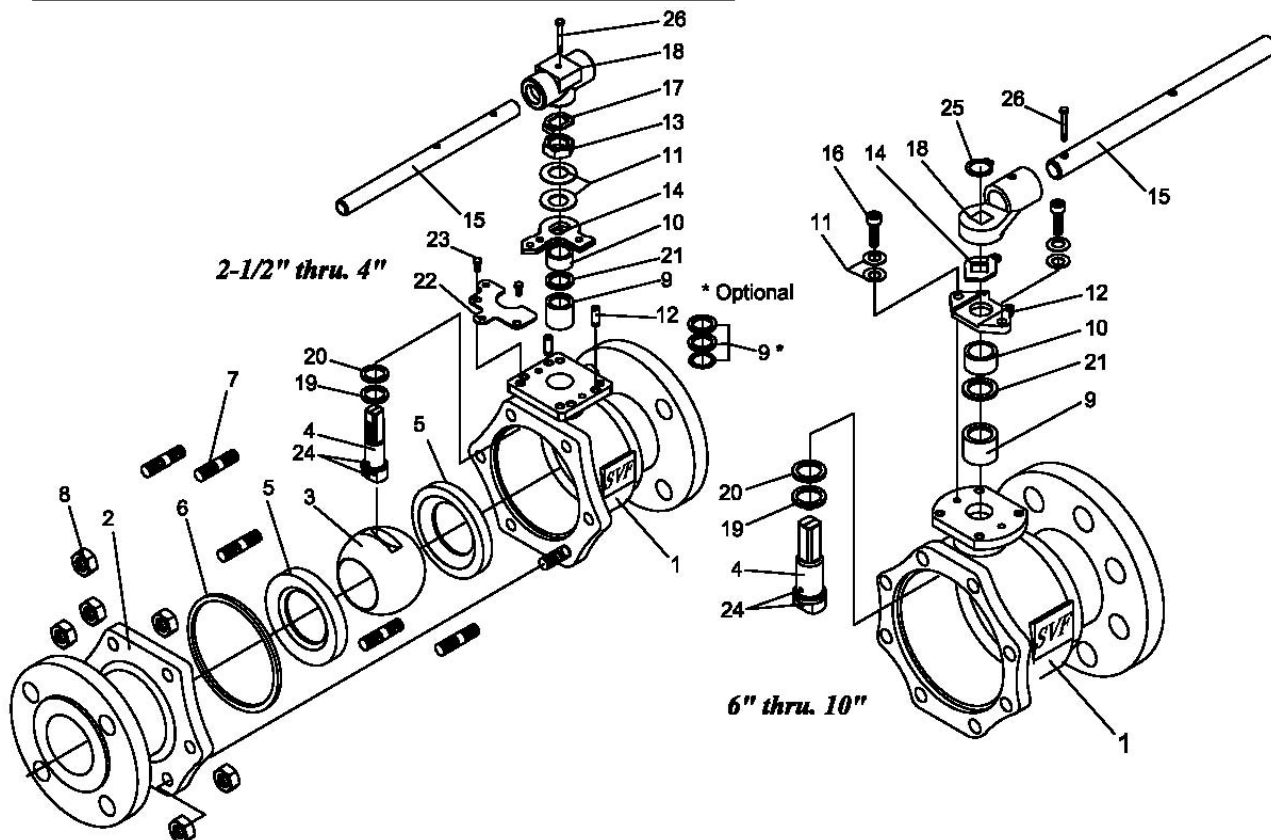
Item No.	Name	Stainless Steel	Carbon Steel
1	Body	ASTM A351-CF8M	ASTM A216-WCB
2	End	ASTM A351-CF8M	ASTM A216-WCB
3	Ball	ASTM A351-CF8M	ASTM A216-WCB
4	Stem	ASTM A276-316SS	ASTM A276-316SS
5	Seats	TFM-1600	TFM-1600
6	Body Seals	304SS/Grafoil	304SS/Grafoil
7	Body Bolts	ASTM A193-B8	ASTM A193-B7
8	Nuts	ASTM A194-8	ASTM A194-2H
9	Stem Packing	Grafoil	Grafoil
10	Gland	304SS	304SS
11	Belleville Washers	Spring Alloy	Spring Alloy
12	Indicator/Lock/Stop	304SS	304SS
13	Stem Nut	ASTM A193-B8	ASTM A193-B8
14	Tab Lock	304SS	304SS
15	Handle	Stainless Steel	Stainless Steel
16	Handle Sleeve	Vinyl	Vinyl
17	Handle Nut	ASTM A193-B8	ASTM A193-B8
18	Stop Pin	ASTM A276-304SS	ASTM A276-304SS
19	Thrust Ring	TFM-4215	TFM-4215
20	Thrust Seal	Grafoil	Grafoil
21	Packing Ring	PTFE	PTFE
22	Locking Plate	Stainless Steel	Stainless Steel
23	Locking Plate Screw	Stainless Steel	Stainless Steel
24	Anti-Static Device	Stainless Steel	Stainless Steel

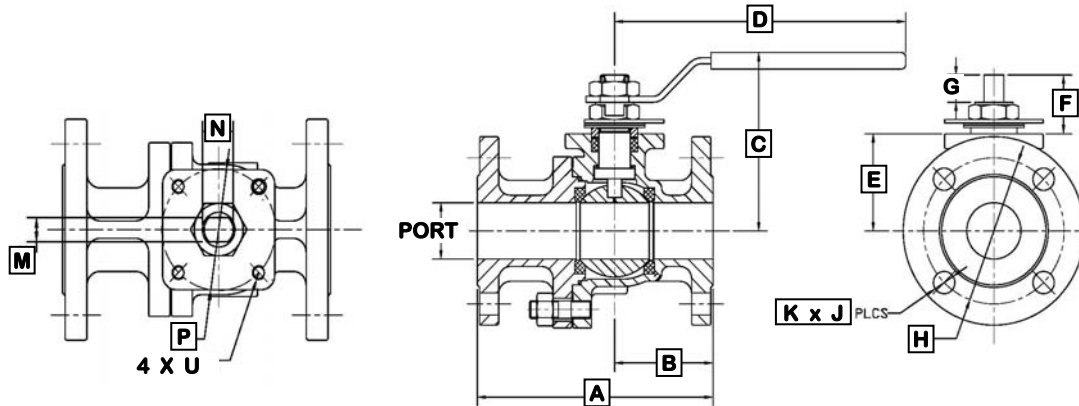


## Valve Components 2 1/2" to 10"

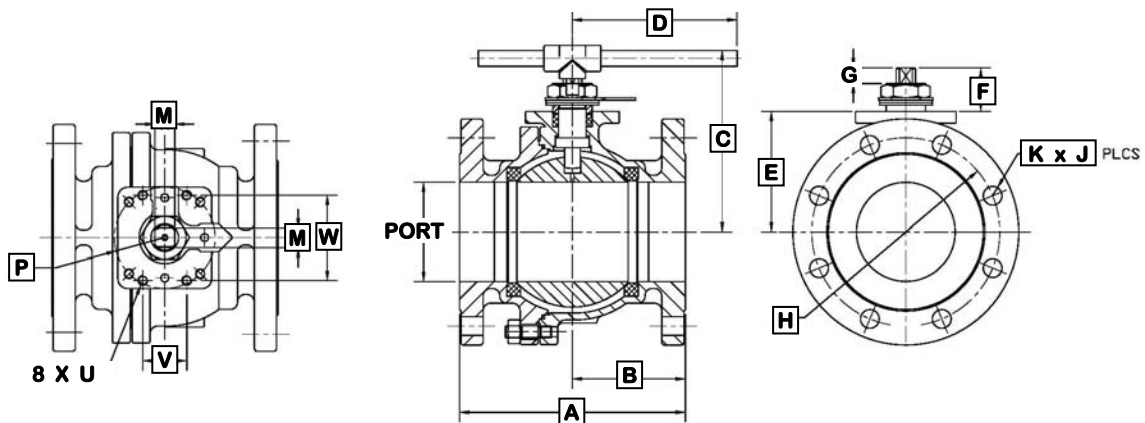
### Valve Components 2-1/2" to 10"

Item No.	Name	Stainless Steel	Carbon Steel
1	Body	ASTM A351-CF8M	ASTM A216-WCB
2	End	ASTM A351-CF8M	ASTM A216-WCB
3	Ball	ASTM A351-CF8M	ASTM A216-WCB
4	Stem	ASTM A276-316SS	ASTM A276-316SS
5	Seats	TFM-1600	TFM-1600
6	Body Seals	304SS/Grafoil	304SS/Grafoil
7	Body Bolts	ASTM A193-B8	ASTM A193-B7
8	Nuts	ASTM A194-8	ASTM A194-2H
9	Stem Packing	Grafoil	Grafoil
10	Gland	304SS	304SS
11	Belleville Washers	Spring Alloy	Spring Alloy
12	Stop Pin/Follower	304SS	304SS
13	Stem Nut	ASTM A193-B8	ASTM A193-B8
14	Stop Plate	304SS	304SS
15	Handle Wrench	Steel	Steel
16	Follower Bolts	ASTM A193-B8	ASTM A193-B8
17	Lock Washer	Stainless Steel	Stainless Steel
18	Handle Hub	ASTM A351-CF8	ASTM A351-CF8
19	Thrust Ring	TFM-4215	TFM-4215
20	Thrust Seal	Grafoil	Grafoil
21	Packing Ring	PTFE	PTFE
22	Locking Plate	Stainless Steel	Stainless Steel
23	Locking Plate Screw	Stainless Steel	Stainless Steel
24	Anti-Static Device	Stainless Steel	Stainless Steel
25	Snap Ring	Spring Alloy	Spring Alloy
26	Handle Screw	Stainless Steel	Stainless Steel

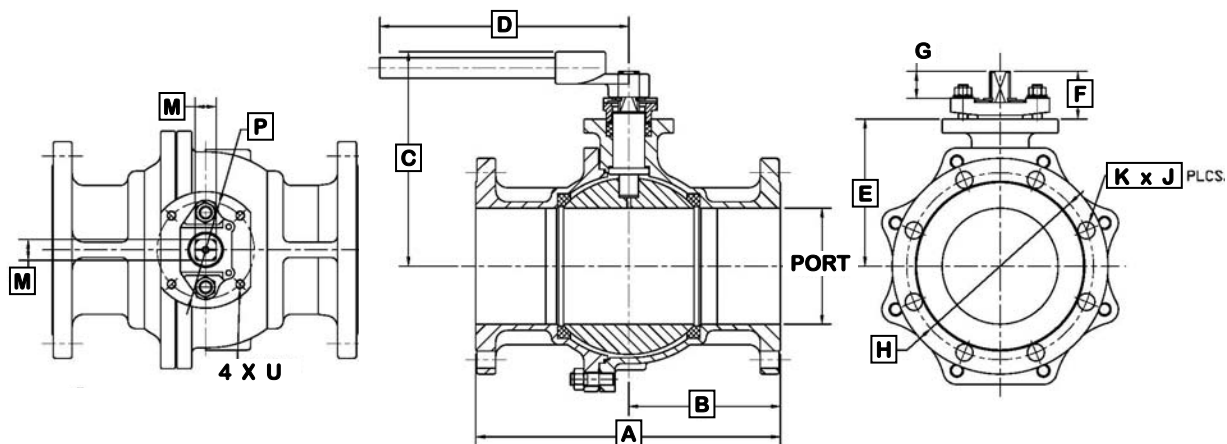


**Valve Dimensions (in.) 1/2" to 2 1/2"**


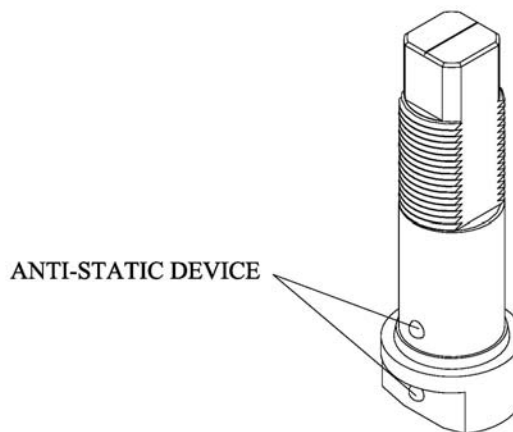
SIZE	ØPORT	A	B	C	D	E	F	G	H	J	K	M	N	P/ISO5211	U
1/2"	0.59	4.25	1.80	3.3	5.60	1.68	0.73	0.31	2.38	4	0.62	0.297	M10	1.654/F04	M5
3/4"	0.75	4.61	2.11	3.5	5.60	1.79	0.73	0.31	2.75	4	0.62	0.297	M10	1.654/F04	M5
1"	1.0	5.00	2.09	4.0	5.60	2.05	1.18	0.40	3.12	4	0.62	0.342	M14	1.969/F05	M6
1-1/2"	1.5	6.50	2.72	4.7	7.88	2.62	1.55	0.62	3.88	4	0.62	0.551	M20	2.756/F07	M8
2"	2.0	7.00	3.15	5.0	7.88	2.88	1.55	0.62	4.75	4	0.75	0.551	M20	2.756/F07	M8
2-1/2"	2.5	7.50	3.60	5.9	7.88	3.74	1.55	0.62	5.50	4	0.75	0.551	M20	2.756/F07	M8

**Valve Dimensions (in.) 3" - 4"**


SIZE	ØPORT	A	B	C	D	E	F	G	H	J	K	M	P/ISO5211	V	W	U
3"	3.1	8.00	3.86	6.69	13.80	4.20	1.70	0.70	6.00	4	0.75	0.75	4.016/F10	1.751	3.37	M10
4"	4.0	9.00	4.51	8.11	17.70	4.81	1.70	0.70	7.50	8	0.75	0.75	4.016/F10	1.751	3.37	M10

**Valve Dimensions (in.) 6"-8"-10"**


SIZE	ØPORT	A	B	C	D	E	F	G	H	J	K	M	P/ISO5211	U
6"	6.0	15.5	7.72	11.1	31	7.48	2.45	1.00	9.50	8	0.88	1.063	4.921/F12	M12
8"	8.0	18.0	9.81	13.7	38	9.91	3.25	1.50	11.75	8	0.88	1.063	4.921/F12	M12
10"	10.0	21.0	10.5	16.3	38	10.87	3.62	1.81	14.25	12	1.00	1.417	5.512/F14	M16



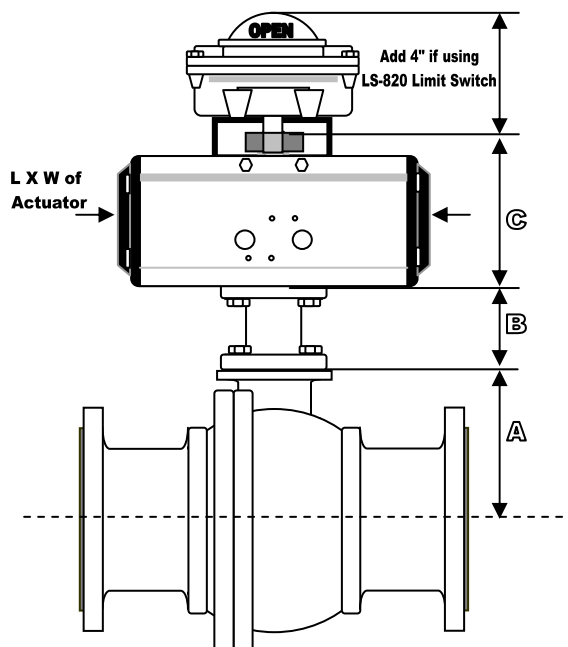
B41 valves are designed for use with tamper-resistant, scissor-style steel lockout hasps which allows for Lockout/Tagout by up to 6 workers.  
 (OSHA 29 CFR 1910.147)

The Anti-Static Stem Design on B41 valves provides for the elimination of the build up of static charge on valves used in services handling flammable fluids.

**Series "B41 Rev 2" Ball Valve**

Size	A (In.)	B* (In.)
1/2"	1.7	3
3/4"	1.8	3
1"	2.1	3
1.5"	2.7	4
2"	2.9	4
2.5"	3.8	5
3"	4.3	5
4"	4.9	5
6"	7.6	5
8"	10	5
10"	11	5

B\* Mounting Kit height may vary slightly based on actuator sizing.  
 Dimension "B" is Max.


**aero2**
**Actuator Dimensions (In.)**

Model	L (Length)	W (Width)	C
A2-020	5.8	2.8	3.6
A2-035	6.6	3.3	4.2
A2-050	7.3	3.7	4.7
A2-075	8	4	5
A2-110	10.4	4.3	5.4
A2-160	10.6	4.8	6
A2-255	11.7	5.7	6.9
A2-400	15.4	6	7.5
A2-500	18	6.9	8.5
A2-550	20.8	8.2	9.9
A2-600	22.2	9	10.8
A2-650	23.8	10.2	12.2
A2-700	27.8	11.5	13.7

**Options & Accessories**

Add the following dimensions to the 4" shown for LS-820 if an alternate top mounted accessory is used.

Limit Switch			Positioner	
	Add (in.)	Rating		Add (in.)
SVF			V-700	1"
LS-820	0	NEMA-4		
Moniteur	3"	NEMA-4	Pilot Valve	Add to "W"
	3"	NEMA-7		
Westlock	3"	NEMA-4		
	3"	NEMA-7		

**HOW TO ORDER**

Prefix	Body & End Materials	Ball & Stem Materials	Seat Material	Seal Material	Ends	Size
	4- Carbon Steel	6- Stainless Steel	A- TFM	A- TFM		02 - 1/4" 20 - 2"
B41	6- Stainless Steel			G- GRAPHOIL	150R2**- FLANGED 150#	03 - 3/8" 25 - 2.5"
			S- SUPRALON	T- VIRGIN TFE		05 - 1/2" 30 - 3"
					**B41 series is R2 = Revision 2	07 - 3/4" 40 - 4"
						10 - 1" 60 - 6"
						12 - 1.25" 80 - 8"
						15 - 1.5" 100 - 10"