

SV61 solenoid valves are direct-mount (NAMUR VDI/VDE 3845) valves used to pilot pneumatic actuators. The valve is a universal type (5/2 convertible to 3/2) and can be used on double acting or spring return actuators by simply installing the correct seal plate.

The single coil is rated for continuous service and in the event of electrical failure the actuator returns to the clockwise position (normally closed valve) through mechanical springs -in the case of spring return actuators- or air –in the case of the double acting version.

The SV61 has ¼” NPT air and exhaust connections and a high Cv (1.2) allowing for fast operating times.

SV61 pilot valves are rated to NEMA IV. A local manual override is provided as standard.

Speed controls are available as an option.



General Specifications

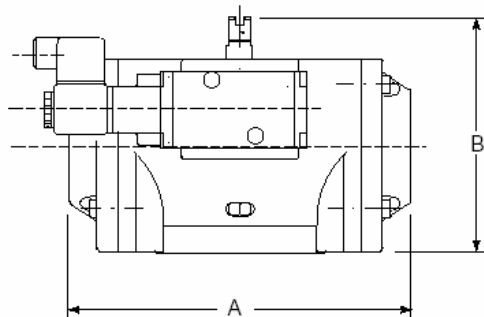
Type	5/2, 3/2	
Air Pressure	30 to 145 psig	(2 bar to 10 bar)
Temperature	-4°F to 158°F	
Voltages	Standard	Optional
60/50 Hz AC	110V, 220V	24V
DC	24V	12V, 110V
Power	1.2 Watts AC	(3 Watts DC)
Air Connections	¼” NPT	
Air Flow (Cv)	1.2	
Electrical Entry	½” NPT/DIN type	
Rating/Enclosure	NEMA-IV (weatherproof)	IP-65
Weight	1 pound	

How To Order

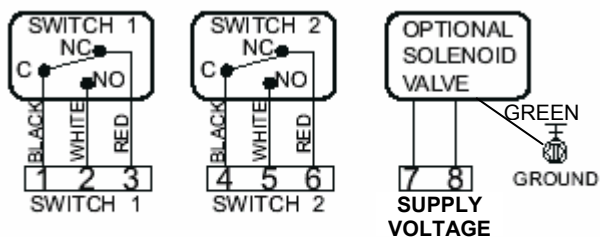
	Unit Code	Installed Code
Ordering Code	SV61-3/4 (universal)-Voltage	SV61-3 (3-Way for SR)-Voltage
		SV61-4 (4-Way for DA)-Voltage

Dimensions on *Aero* Actuator

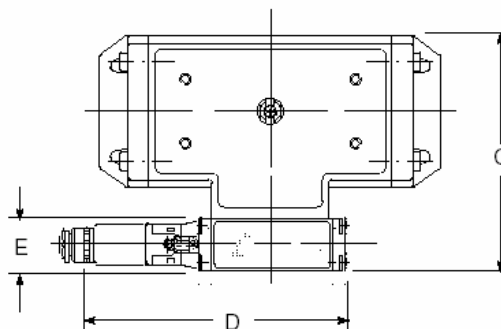
Model	A	B	C	D	E
A11	4.7	3.6	3.8	5.8	1.2
A14	6.3	4.4	4.6	5.8	1.2
A16	6.3	4.4	4.6	5.8	1.2
A19	7.0	4.4	5.0	5.8	1.2
A21	7.0	4.4	5.0	5.8	1.2
A26	9.4	5.6	5.0	5.8	1.2
A31	9.0	6.3	5.7	5.8	1.2
A36	9.7	7.7	6.6	5.8	1.2
A41	11.4	7.7	6.6	5.8	1.2
A46	13.8	8.2	7.1	5.8	1.2
A56	16.5	9.7	8.5	5.8	1.2



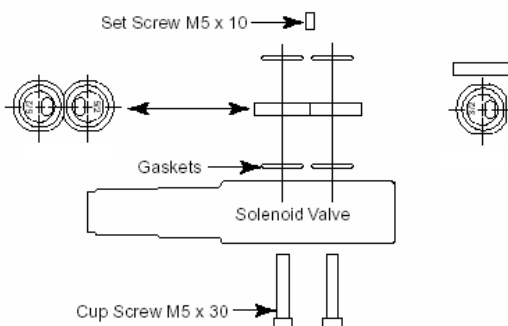
WIRING DIAGRAM SHOWN WITH SWITCHBOX



2 SPDT switches (Form C)



Installation



SV61-3/4 is the universal valve, unit part number. This valve may be used as a 3-way or 4-Way pilot valve by converting it as described here.

When installed by *SVF* to an actuator the part number changes to:

SV61-4 (4-Way for DA Actuators) or
 SV61-3 (3-Way for SR Actuators)

SV61 pilot valves mount directly to the air-inlet manifold on NAMUR-type pneumatic actuators.

For Double Acting Actuators (SV61-4)

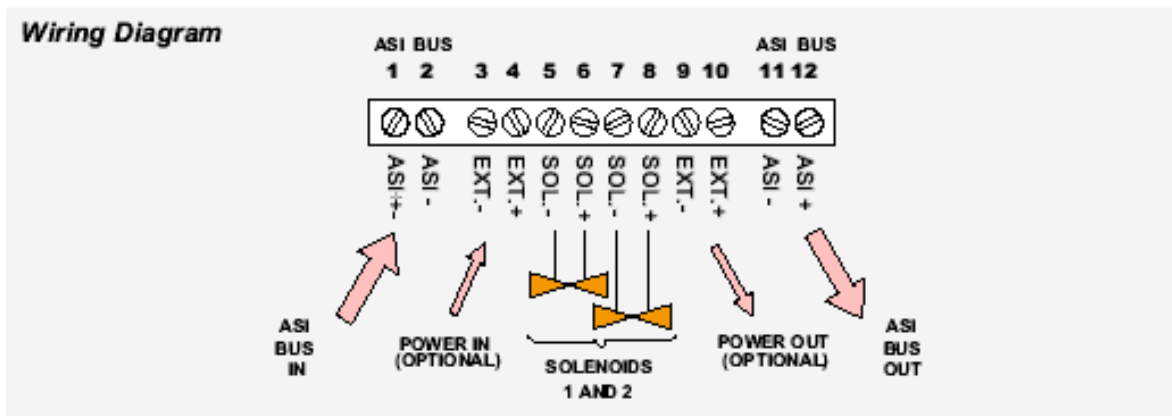
- Install O-rings/gaskets onto seal plates provided and marked "5/2"
- Insert seal plates into valve "pockets"
- Mount and cycle test valve assembly

For Spring Return Actuators (SV61-3)

- Install O-rings/gaskets onto seal plates provided and marked "5/2" and "3/2"
- Insert seal plates into valve "pockets"
- Mount and cycle test valve assembly

NOTE: On all assemblies, ensure that the actuator is cycling in the desired direction. Action may be changed by inverting the entire valve or (for SV61-3) exchanging the positions of the seal plates.

Typical ASi Wiring



Standard ASi Network Card Specifications

Power

voltage 30Vdc (ASi standard)
current <30mA
local indication green LEDs

Communication

type slave
addressing 1 to 31 (0 from factory)
cycle time less than 5ms

ASi configuration

Bit D0 proximity switch #2
Bit D1 proximity switch #1
Bit D2 ready signal
Bit D3 output relay
Bits P0, P1 P2, P3 not used
IO code IO = 1H
ID code ID = FH

On Board Sensor Inputs

type (2) Hall effect solid-state sensors, (1) for each valve position
local indication green LEDs

Auxiliary Inputs

type Namur (DIN 19234) or mechanical switch
voltage 8Vdc ± 5% - ripple 5%
current active <1mA, inactive >3mA
local indication green led (each input)
protection reverse polarized

Output

type (2) transistor or relay
transistor rating 2w @ 24 VDC
relay contact programmable NO or NC
relay voltage 120VAC, 220 VAC, 24 VDC
current 1A

Contact SVF for other version of our Two-Wire *Network Solutions* Program