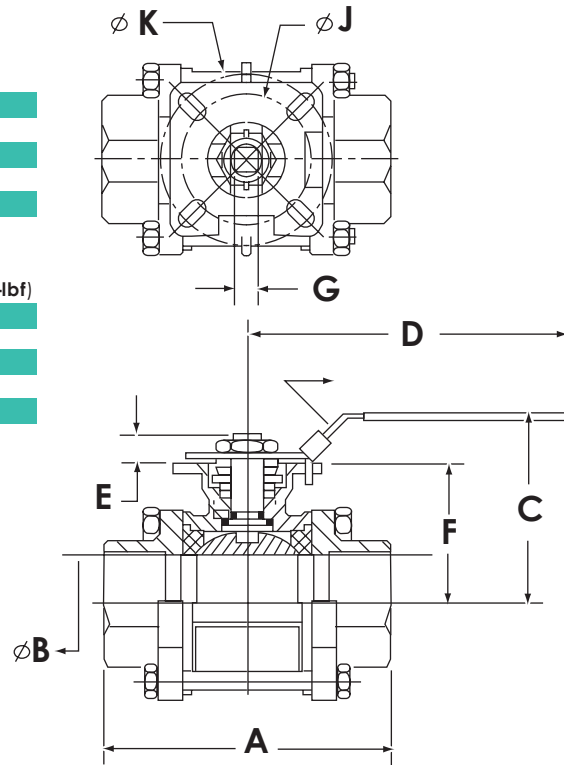


### EZ Valve Dimensions

Size	A	B	C	D	E
1/4-1/2"	2.5	0.59	2.88	4.41	0.335
3/4"	2.85	0.79	3.18	4.41	0.335
1"	3.19	1	3.56	5.35	0.449
1-1/4"	3.72	1.25	3.89	7.28	0.449
1-1/2"	4.25	1.5	4.54	7.79	0.551
2"	4.78	2	4.88	7.79	0.54

Size	F	G	ΦJ/ISO 5211	ΦK/ISO 5211	Torque (in-lbf)
1/4-1/2"	1.46	0.354	1.654/F04	1.969/F05	35
3/4"	1.77	0.354	1.654/F04	1.969/F05	50
1"	2.11	0.433	1.654/F04	1.969/F05	80
1-1/4"	2.32	0.433	1.654/F04	1.969/F05	120
1-1/2"	2.95	0.551	1.969/F05	2.756/F07	250
2"	3.29	0.551	1.969/F05	2.756/F07	300



### Materials List

No.	Part Name	Material		Qty.
		Stainless Steel	Carbon Steel	
1	Body	A351 Gr. CF8M		1
2	Ball	SS316		1
3	End Cap	A351 Gr.CF3m or A216 Gr. WCB		2
4	Seat/Seal	TFM		2
5	Stem	SS316		1
6	Stem Packing	RTFE.		1Set
7	Handle	SS304		1
8	Handle Cover	Plastic		1
9	Thrust Washer	RTFE.		1
10	Gland	SS304		1
11	Belleville Washer	SS401		2
12	Tab Washer	SS304		1
13	Locking Device	SS304		1
14	Gland Nut	SS304		1
15	Handle Washer	SS304		1
16	Handle Nut	SS304		1
17	Bolt	SS304		4~6
18	Bolt Washer	SS304		4~6
19	Bolt Nut	SS304		4~6
20	Stop Pin	SS304		1

Important note: For carbon Steel Piping Systems, Stainless steel valves are supplied with carbon steel ends (SW, BW)

