

Three-Piece CleanFLOW™ Hastelloy Ball Valve, Sizes 1/2" ~ 6"

SB79

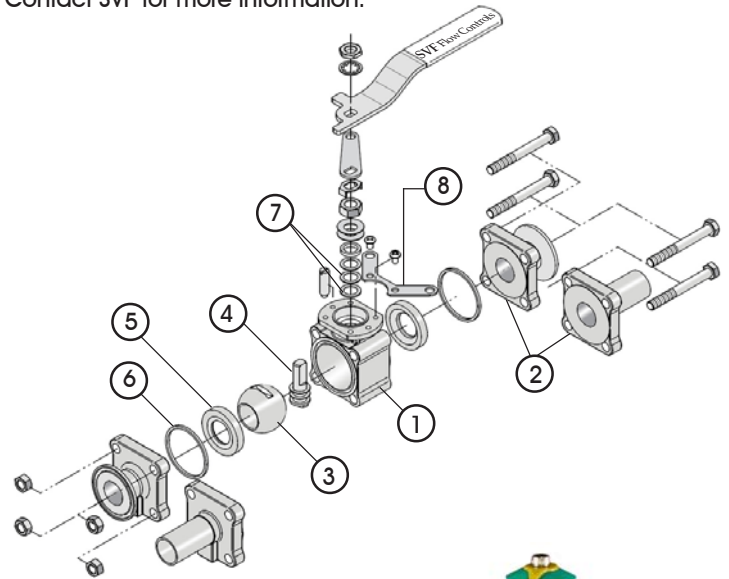
CleanFLOW™ SB79 ball valves are engineered to be a true process piping component to specifically meet the demanding processes found in the pharmaceutical and food & beverage industries. The "Tube-ID" port opening is dimensionally identical to the adjacent tubing to comply with ASME-BPE guidelines.

SERIES SB79 DESIGN FEATURES

- ✓ ASME-BPE compliant
- ✓ Cavity filled TFM1 600™ seat option available (SBC79)
- ✓ Drainable design with "Tube-ID" dimensions
- ✓ Weld bosses for easy purge porting on ends
- ✓ ISO 5211 mounting pad for easy actuation
- ✓ Encapsulated body seals to facilitate welding without disassembly
- ✓ End connections include Tri-Clamp and Extended Tube O.D.
- ✓ Standard interior finish is 20Ra or better
- ✓ ETO ends are designed for Orbital Welding
- ✓ Exclusive "Fine Adjust" handle for precise positioning



The Series SB79 Ball Valve is available with additional options. Contact SVF for more information.



MATERIALS OF CONSTRUCTION

ITEM	DESCRIPTION	MATERIALS SPECIFICATIONS (Additional options available)
1	Body	Hastelloy (ASTM A494 CW12MW)
2	End Connector	Hastelloy (ASTM A494 CW12MW)
3	Ball	Hastelloy (ASTM A494 CW12MW)
4	Stem	Hastelloy (ASTM A494 CW12MW)
5	Seat	TFM1 600™
6	Body Seal	PTFE
7	Stem Seal	TFM1 600™
8	Locking Device (Optional)	304 Stainless Steel

SVF Series SB79 Ball Valve with *aero*² Actuator and Low-Profile Limit Switch



What do you need today?™

HIGH PURITY
CleanFLOW
 www.CleanFLOW.net

PRO-SPEC
 PROCESS SPECIFIC
 WWW.PRO-SPEC.NET

QUALITY FLOWS
 THROUGH US

www.SVF.net

Subject to revisions. Please visit www.SVF.net for the latest updates on this Data Sheet. All Data Sheets posted on our website supersede all prior publications. • [Document #DDS-SB79_06_2010 • Series SB79 Data Sheet - 10/07/2010]
 SVF Flow Controls, Inc. • 13560 Larwin Circle • Santa Fe Springs, CA 90670 • Tel: 1.800.783.7836 • FAX: 562.802.3114
 Sales@SVF.net • Visit our website: www.SVF.net • © SVF Flow Controls, Inc. • Specifications subject to change without notice

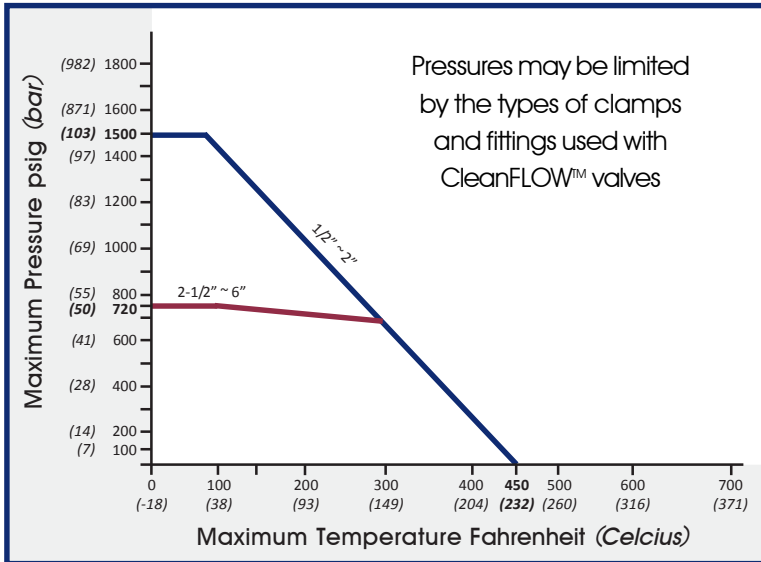
Three-Piece CleanFLOW™ Hastelloy Ball Valve, Sizes 1/2" ~ 6"

SB79

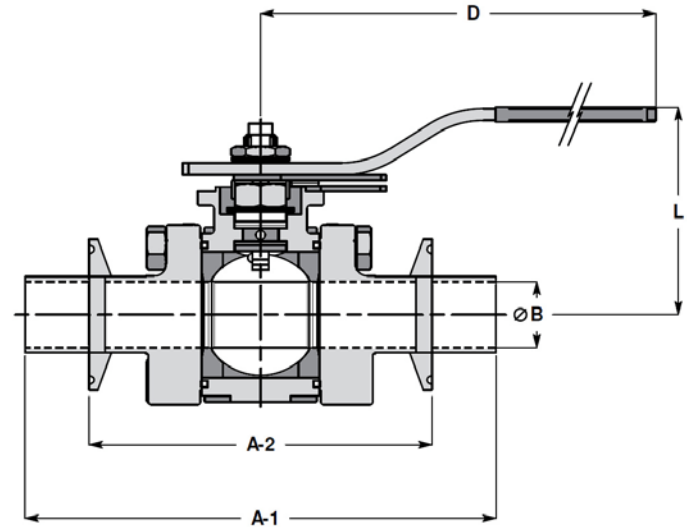
DIMENSIONS, WEIGHT, C_v, TORQUE

Size	A-1		A-2		B		D		L		Weight		C _v	Torque*	
	in.	mm	in.	mm	in.	mm	in.	mm	in.	mm	lbs	kg		in-lb _f	Nm
1/2"	5.50	140	3.50	89	0.37	9	5	114	2.22	56	2	0.9	8	60	7
3/4"	6.00	152	4.00	102	0.62	16	5	114	2.28	58	2	0.9	29	60	7
1"	6.50	165	4.50	114	0.87	22	6	146	2.56	65	4	1.8	66	100	11
1-1/2"	7.50	191	5.50	140	1.37	35	7	178	3.09	78	8	3.6	192	200	23
2"	8.00	203	6.25	159	1.87	47	7	178	3.45	88	13	5.9	434	250	28
2-1/2"	9.50	241	6.75	171	2.37	60	10	254	5.35	136	23	10.4	723	450	51
3"	10.50	267	7.00	178	2.87	73	14	348	6.55	166	31	14.1	1124	1300	147
4"	12.50	318	8.50	216	3.83	97	22	559	7.14	181	46	20.9	2100	1400	158
6"	16.00	406	17.00	432	5.78	147	26	660	12.00	305	196	88.5	4700	4160	470

SB79 - PRESSURE/TEMPERATURE CHART



* At full differential pressure for clean fluids with TFM1600™ Non-Cavity Filled Seats



HOW TO ORDER SERIES SB79 BALL VALVES

SERIES	BODY & END MATERIAL	BALL & STEM MATERIAL	SEAT	BODY SEAL	ENDS	SIZE
SB7 SBC7 = Cavity Filled Seats	99 = Hastelloy ASTM A494 CW12MW	99 = Hastelloy ASTM A494 CW12MW	A = TFM1600™	T = PTFE	TR = Tri-Clamp ETO = Extended Tube OD Other End Connection Options Available	05 = 1/2" 20 = 2" 07 = 3/4" 25 = 2-1/2" 10 = 1" 30 = 3" 15 = 1-1/2" 40 = 4" 60 = 6"
Order Example: (SB79999ATTR05)						
Example Description: Hastelloy Body & Ends, Hastelloy Ball & Stem, TFM1600™ Seat, PTFE Body Seal, Tri-Clamp Ends, 1/2" Size						
SB7	99	99	A	T	TR	05

Subject to revisions. Please visit www.SVF.net for the latest updates on this Data Sheet. All Data Sheets posted on our website supersede all prior publications • [Document #DDS-SB79_06_2010 • Series SB79 Data Sheet - 10/07/2010]