



Scan the barcode with your SmartPhone app and view the latest publication of this document

Series P4 Ball Valve

Three-Piece High Pressure Ball Valve

Sizes 1/2" ~ 1"



The SVF Series P4 high pressure ball valve is designed to meet applications up to 5,000 psi (1/2" rated at 5500 psi). The P4 features a carbon or stainless steel body and is available in a variety of alloy materials. This engineered valve adds safety and reliability to high pressure systems and applications in Offshore, Oil & Gas, Petrochemical, Power and Refining.

SERIES P4 DESIGN FEATURES

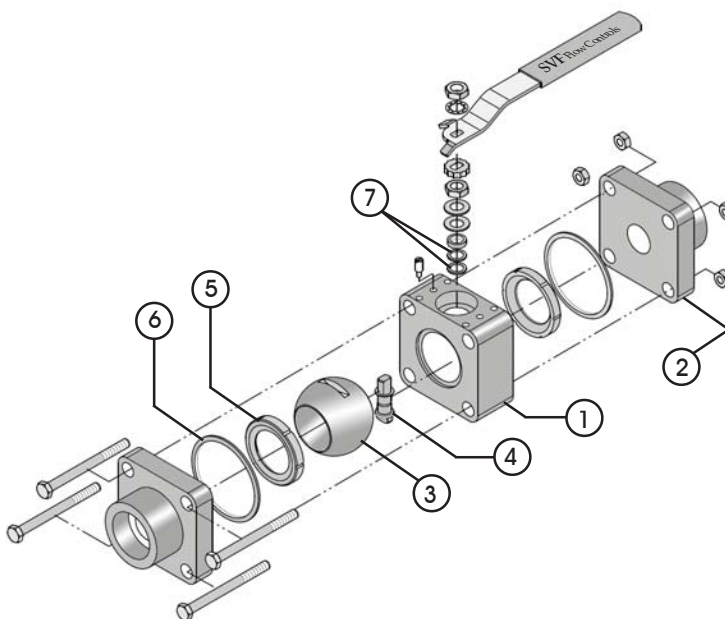
- ✓ High performance design for process-quality applications
- ✓ Live-loaded stem packing ensures seal-tight pressure containment even under thermal cycling
- ✓ 1/2" P4 rated at 5500 psi
- ✓ Three-piece "swing out" design offers easy access for in-line maintenance
- ✓ Standard seat material is Delrin®
- ✓ Blowout proof stem adds safety & reliability
- ✓ Stainless Steel fasteners and handle



The Series P4 Ball Valve is available with additional options. Contact SVF for more information.

MATERIALS OF CONSTRUCTION

ITEM	DESCRIPTION	MATERIALS SPECIFICATIONS (Additional options available)
1	Body	Carbon Steel (ASTM A105), Stainless Steel (ASTM A479 SS316L)
2	End Connector	Carbon Steel (ASTM A105), Stainless Steel (ASTM A479 SS316L)
3	Ball	316 Stainless Steel (ASTM A351 CF8M)
4	Stem	Stainless Steel 17-4 ph (ASTM A564 630)
5	Seat	Delrin®, PEEK
6	Body Seal	Buna "N", Viton®, EPDM
7	Stem Seal	SupraLon™



SPECIFICATION STANDARDS OF COMPLIANCE

SVF Series P4 Ball Valves are available in designs that meet the following Industry Standards:

- ANSI
- DIN
- BPE
- ASME
- ISO
- NACE
- API
- MSS
- ASTM

Contact SVF for specific applications

What do you need today?™



Specifications subject to change. Please visit www.SVF.net for the latest updates on this Data Sheet. All Data Sheets posted on our website supersede all prior publications • [Document #DDS-P4-06/2010 • Series P4 Data Sheet - 07/27/2011]

www.SVF.net

SVF Flow Controls, Inc. • 13560 Larwin Circle • Santa Fe Springs, CA 90670 • Tel: 1.800.783.7836 • FAX: 562.802.3114
Sales@SVF.net • Visit our website: www.SVF.net • © SVF Flow Controls, Inc. • Specifications subject to change without notice



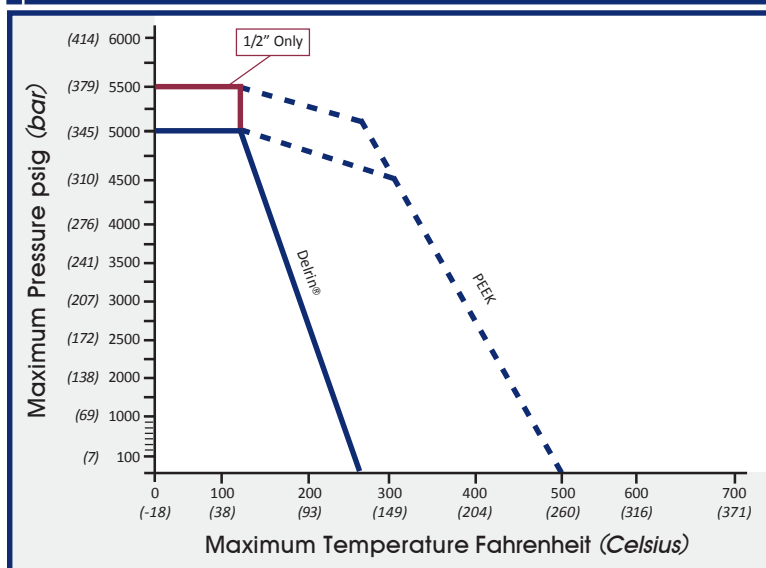
Scan the barcode with your SmartPhone app and view the latest publication of this document



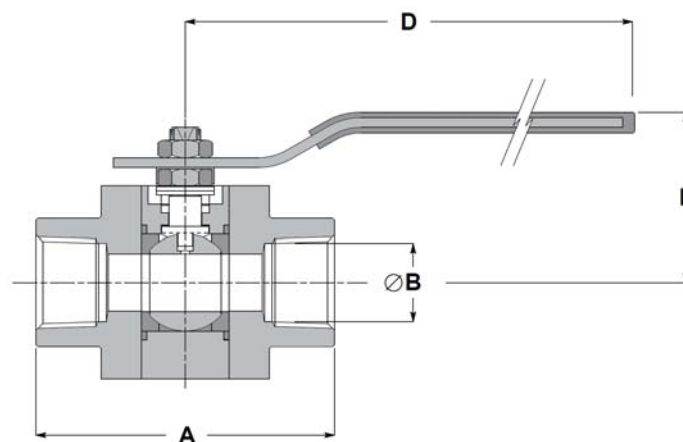
DIMENSIONS, WEIGHT, C_v, TORQUE

Size	A		B		D		L		Weight.		C _v	Torque*	
	in.	mm	in.	mm	in.	mm	in.	mm	lbs	kg		in-lb _f	Nm
1/2"	3.06	77	0.44	11	5	127	1.7	43	2	0.9	8	55	6
3/4"	3.34	85	0.56	14	5	127	1.9	48	3	1.4	12	190	21
1"	4.25	108	0.81	21	6	152	2.4	61	5	2.3	32	290	33

P4 - PRESSURE/TEMPERATURE CHART



* At full differential pressure for clean fluids with Delrin® Seats



HOW TO ORDER SERIES P4 BALL VALVES

SERIES	BODY & END MATERIAL	BALL & STEM MATERIAL	SEAT	BODY SEAL	ENDS	SIZE
P4 = Standard Port	44 = Carbon Steel ASTM A105 66 = Stainless Steel ASTM A479 SS316L	6M = 316 Stainless Steel ASTM A351 CF8M Ball 17-4 ph ASTM A564 630 Stem	D = Delrin® K = PEEK	B = Buna "N" V = Viton® E = EPDM	SE = Screwed Ends (FNPT) SW = Socket Weld Ends	05 = 1/2" 07 = 3/4" 10 = 1"

Order Example: (P4666MDBSE05)

Example Description:

316L Stainless Steel Body & Ends, 316 Stainless Steel Ball, 17-4 ph Stem, Delrin® Seat, Buna "N" Body Seal, Screwed Ends (FNPT), 1/2" Size

P4	66	6M	D	B	SE	05
----	----	----	---	---	----	----

Specifications subject to change. Please visit www.SVF.net for the latest updates on this Data Sheet. All Data Sheets posted on our website supersede all prior publications • [Document #DDS-P4-06/2010 • Series P4 Data Sheet - 07/27/2011]