

Three-Piece Instrument Ball Valve, Sizes 1/4" ~ 1"

L8

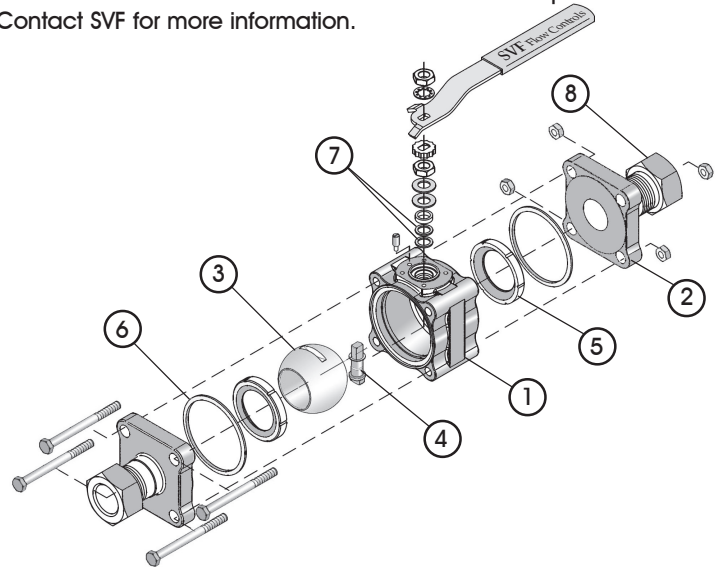
The SVF Series L8 Ball Valves are compression-ended valves designed to be compatible with all of the leading instrument fittings. This high performance valve has a vast selection of seats & seals and integral ISO mounting pad.

SERIES L8 DESIGN FEATURES

- ✓ Compression ends are compatible with all leading instrument fittings
- ✓ High performance design for process-quality applications
- ✓ Live-loaded stem packing ensures seal-tight pressure containment even under thermal cycling
- ✓ Three-piece "swing out" design offers easy access for in-line maintenance
- ✓ ISO 5211 mounting pad for easy actuation
- ✓ Standard seat material is TFM1600™
- ✓ Blowout proof stem adds safety & reliability
- ✓ Optional SupraLon™ seats for high temperature, steam and thermal fluid applications
- ✓ Full range of options to suit specific requirements



The Series L8 Ball Valve is available with additional options. Contact SVF for more information.



MATERIALS OF CONSTRUCTION

ITEM	DESCRIPTION	MATERIALS SPECIFICATIONS (Additional options available)
1	Body	316 Stainless Steel (ASTM A351 CF8M)
2	End Connector	316L Stainless Steel (ASTM A351 CF3M)
3	Ball	316 Stainless Steel (ASTM A351 CF8M)
4	Stem	316 Stainless Steel (ASTM A276), Stainless Steel 17-4 pH (ASTM A564 630)
5	Seat	TFM1600™, SupraLon™, Delrin®, UHMWPE, PEEK
6	Body Seal	PTFE, Buna "N", SupraLon™, GRAFOIL®, UHMWPE, Viton®, EPDM
7	Stem Seal	SupraLon™
8	Compression Fittings	316 Stainless Steel with silver plated threads

SPECIFICATION STANDARDS OF COMPLIANCE

SVF Series L8 Ball Valves are available in designs that meet the following Industry Standards:

- ANSI
- DIN
- BPE
- ASME
- ISO
- NACE
- API
- MSS
- ASTM

Contact SVF for specific applications

What do you need today?™

HIGH PURITY
CleanFLOW
 www.CleanFLOW.net

PRO-SPEC
 PROCESS SPECIFIC
 www.PRO-SPEC.NET

QUALITY FLOWS
 THROUGH US

www.SVF.net

SVF Flow Controls, Inc. • 13560 Larwin Circle • Santa Fe Springs, CA 90670 • Tel: 1.800.783.7836 • FAX: 562.802.3114
 Sales@SVF.net • Visit our website: www.SVF.net • © SVF Flow Controls, Inc. • Specifications subject to change without notice

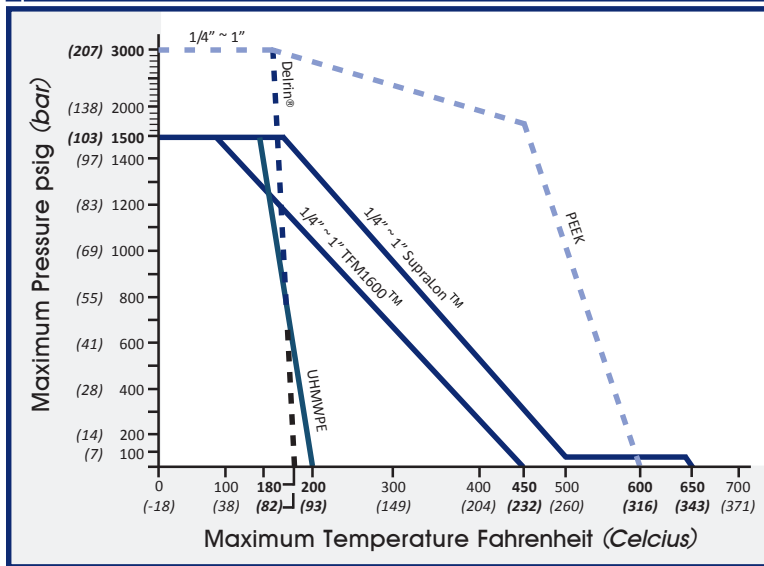
Three-Piece Instrument Ball Valve, Sizes 1/4" ~ 1"

L8

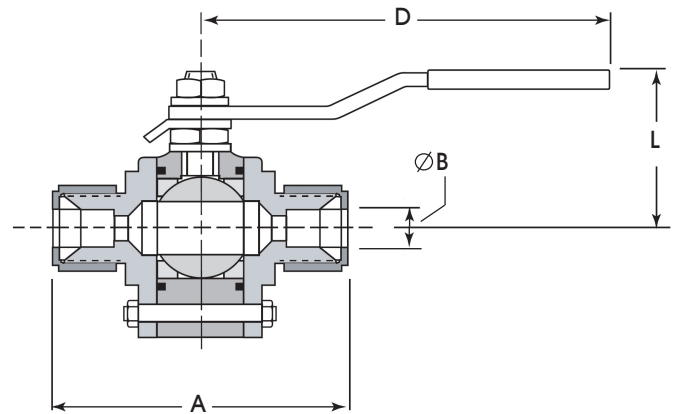
DIMENSIONS, WEIGHT, TORQUE

Size	A		B		D		L		Weight.		Torque*	
	in.	mm	in.	mm	in.	mm	in.	mm	lbs	kg	in-lb _f	Nm
1/4"	3.03	77	0.26	7	5	127	1.8	46	2	0.9	45	5
3/8"	3.11	79	0.38	10	5	127	1.8	46	2	0.9	45	5
1/2"	3.35	85	0.51	13	5	127	1.8	46	2	0.9	45	5
3/4"	3.74	95	0.76	19	5	127	1.9	48	2	0.9	45	5
1"	4.53	115	1.01	26	6	152	2.4	61	4	1.8	100	11

L8 - PRESSURE/TEMPERATURE CHART



* At full differential pressure for clean fluids with TFM1600™ Seats



HOW TO ORDER SERIES L8 INSTRUMENT BALL VALVES

SERIES	BODY & END MATERIAL	BALL & STEM MATERIAL	SEAT	BODY SEAL	ENDS	SIZE
L8	66 = 316 Stainless Steel ASTM A351 CF8M Body CF3M 316L Ends	66 = 316 Stainless Steel ASTM A351 CF8M Ball A276 316 Stem 6M = Stainless Steel 17-4 pH ASTM A564 630 Stem Only	A = TFM1600™ S = SupraLon™ D = Delrin® U = UHMWPE K = PEEK (Requires 17-4 Stem)	T = PTFE B = Buna "N" S = SupraLon™ G = GRAFOIL® U = UHMWPE V = Viton® E = EPDM	BL = Compression End CM = Compression Male End (without nut & ferrule)	02 = 1/4" 03 = 3/8" 05 = 1/2" 07 = 3/4" 10 = 1"
Order Example: (L86666ATBL05)						
Example Description: Stainless Steel Body & Ends, 316 Stainless Steel Ball & Stem, TFM 1600™ Seat, PTFE Body Seal, Compression Ends, 1/2" Size						
L8	66	66	A	T	BL	05

Specifications subject to change. Please visit www.SVF.net for the latest updates on this Data Sheet. All Data Sheets posted on our website supersede all prior publications • [Document #DS-L8-03/02/2010 • Series L8 Data Sheet - 03/02/2010]