



Scan the barcode with your SmartPhone app and view the latest publication of this document

# Series H7 Ball Valve

## Three-Piece High Pressure Ball Valve

Sizes 1/2" ~ 2"



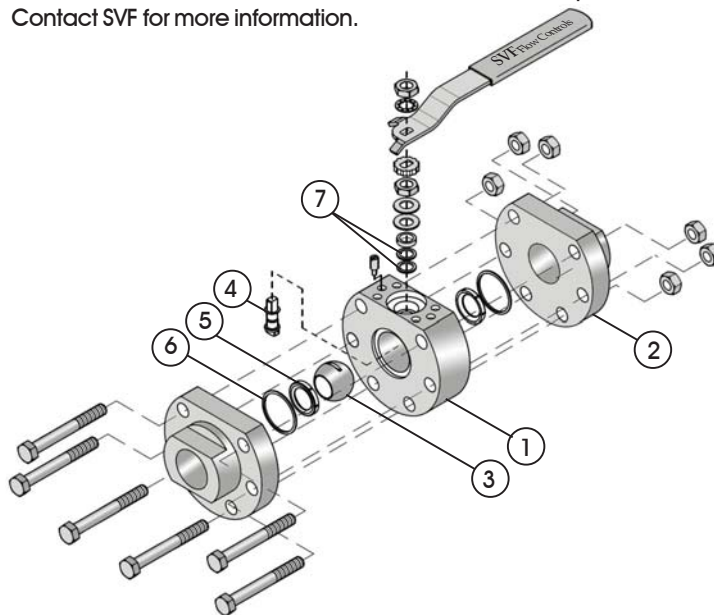
The SVF Series H7 Standard Port high pressure ball valve is designed to meet applications up to 6,000 psi. This engineered valve features a Carbon or Stainless Steel Body and is available in a variety of alloy materials. The H7 adds safety and reliability to high pressure systems and applications in Offshore, Oil & Gas, Petrochemical, Power and Refining.

### SERIES H7 DESIGN FEATURES

- ✓ High pressure to 6,000 psi
- ✓ Live-loaded stem packing ensures seal-tight pressure containment even under thermal cycling
- ✓ Three-piece "swing out" design offers easy access for in-line maintenance
- ✓ Standard seat material is Delrin®
- ✓ Blowout proof stem adds safety & reliability
- ✓ Stainless Steel fasteners and handle



The Series H7 Ball Valve is available with additional options. Contact SVF for more information.



### MATERIALS OF CONSTRUCTION

ITEM	DESCRIPTION	MATERIALS SPECIFICATIONS (Additional options available)
1	Body	Carbon Steel (ASTM A216 WCB) or (ASTM-A105) 316 Stainless Steel (ASTM A351 CF8M) or (ASTM A479-316)
2	End Connector	Carbon Steel (ASTM A216 WCB) or (ASTM-A105) 316L Stainless Steel (ASTM A351 CF3M) or (ASTM A479-316L)
3	Ball	316 Stainless Steel (ASTM A351 CF8M)
4	Stem	Stainless Steel 17-4 ph (ASTM A564 630)
5	Seat	Delrin®, PEEK
6	Body Seal	Buna "N", Viton®, EPDM
7	Stem Seal	SupraLon™

### SPECIFICATION STANDARDS OF COMPLIANCE

SVF Series H7 Ball Valves are available in designs that meet the following Industry Standards:

- ANSI
- DIN
- BPE
- ASME
- ISO
- NACE
- API
- MSS
- ASTM

Contact SVF for specific applications

What do you need today?™





Scan the barcode with your  
SmartPhone app and view the  
latest publication of this document

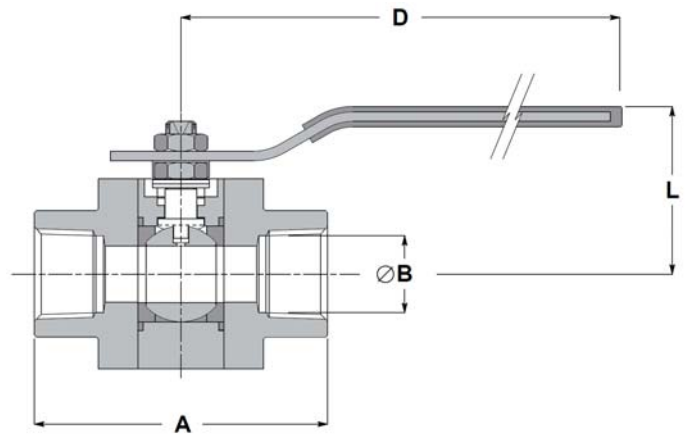
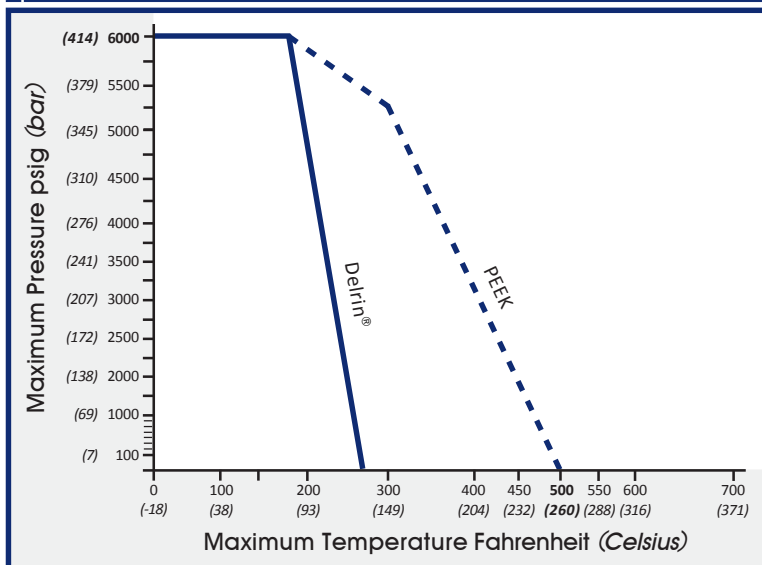


### DIMENSIONS, WEIGHT, Cv, TORQUE

Size	A		B		D		L		Weight.		Cv	Torque*	
	in.	mm	in.	mm	in.	mm	in.	mm	lbs	kg		in-lb <sub>f</sub>	Nm
1/2"	2.78	71	0.44	11	5	127	1.8	46	3.5	1.6	8	60	7
3/4"	3.48	88	0.56	14	5	127	1.9	48	5.3	2.4	12	200	23
1"	3.69	94	0.81	21	6	152	2.4	61	9.9	4.5	32	300	34
1-1/2"	5.04	128	1.25	32	11	279	3.2	81	20.9	9.5	80	550	62
2	6.14	156	1.50	38	11	279	3.3	84	28.9	13.1	104	1100	124

### H7 - PRESSURE/TEMPERATURE CHART

\* At full differential pressure for clean fluids with Delrin® Seats



### HOW TO ORDER SERIES H7 BALL VALVES

SERIES	BODY & END MATERIAL	BALL & STEM MATERIAL	SEAT	BODY SEAL	ENDS	SIZE
H7 = Standard Port	<b>44</b> = Carbon Steel ASTM A216 WCB or ASTM-A105  <b>66</b> = Body: 316 Stainless Steel ASTM A351 CF8M or ASTM A479-316  Ends: 316L Stainless Steel ASTM A351 CF3M or ASTM A479-316L	<b>6M</b> = 316 Stainless Steel ASTM A351 CF8M Ball  17-4ph ASTM A564 630 Stem	<b>D</b> = Delrin®  <b>K</b> = PEEK	<b>B</b> = Buna "N"  <b>V</b> = Viton®  <b>E</b> = EPDM	<b>SE</b> = Screwed Ends (FNPT)  <b>SW</b> = Socket Weld Ends	<b>05</b> = 1/2"  <b>07</b> = 3/4"  <b>10</b> = 1"  <b>15</b> = 1-1/2"  <b>20</b> = 2"

Order Example: (H7666MDBSE05)

**Example Description:**

316 Stainless Steel Body, 316L Stainless Steel Ends, 316 Stainless Steel Ball, 17-4ph Stem, Delrin® Seat, Buna "N" Body Seal, Screwed Ends (FNPT), 1/2" Size

H7	66	6M	D	B	SE	05
----	----	----	---	---	----	----

Specifications subject to change. Please visit www.SVF.net for the latest updates on this Data Sheet. All Data Sheets posted on our website supersede all prior publications • [Document #DDS-H7-06/2010 • Series H7 Data Sheet - 10/20/2011]