

Two-Piece, Seal-Welded Ball Valve, Sizes 1" ~ 3"

BWEV6

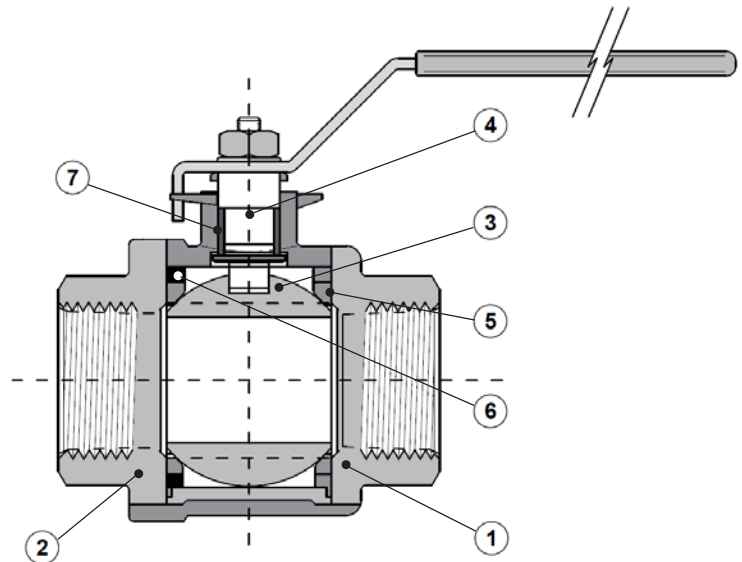
The SVF Series BWEV6 is a full ported, two-piece, seal-welded ball valve designed for use in Railroad Tank Car applications. The BWEV6 is an economical, manually operated valve that meets industry requirements for performance and dependability.

BWEV6 DESIGN FEATURES

- ✓ Product is approved by the American Association of Railroads
- ✓ 316 Stainless Steel body, ball and stem
- ✓ Pressure rated up to 1,000 WOG
- ✓ Full Port flow path for maximum flow
- ✓ Threaded end connectors
- ✓ Lightweight and economical
- ✓ Vinyl grip handle
- ✓ Blowout proof stem and seal-welded body adds safety & reliability
- ✓ Optional Locking Handle allows valve to be lockable in the "Open" or "Closed" position



BWEV6 image above shown with optional locking device.



MATERIALS OF CONSTRUCTION

ITEM	DESCRIPTION	MATERIALS SPECIFICATIONS
1	Body	316 Stainless Steel (ASTM A351 CF8M)
2	End Connector	316 Stainless Steel (ASTM A351 CF8M)
3	Ball	316 Stainless Steel
4	Stem	316 Stainless Steel
5	Seat	PTFE
6	Body Seal	PTFE
7	Stem Seal	GRAFOIL®

STANDARDS OF COMPLIANCE

SVF Series BWEV6 Seal-Welded Ball Valves are approved by the American Association of Railroads (AAR)

Contact SVF for additional details

What do you need today?™

HIGH PURITY
CleanFLOW
www.CleanFLOW.net

PRO-SPEC
 PROCESS SPECIFIC
WWW.PRO-SPEC.NET

QUALITY FLOWS
 THROUGH US

Subject to revision. Please visit www.SVF.net for the latest updates on this Data Sheet. All Data Sheets posted on our website supersede all prior publications • [Document #DDS-BWEV6-07/2010 • Series BWEV6 Data Sheet - 07/08/2010]

www.SVF.net

SVF Flow Controls, Inc. • 13560 Larwin Circle • Santa Fe Springs, CA 90670 • Tel: 1.800.783.7836 • FAX: 562.802.3114
 Sales@SVF.net • Visit our website: www.SVF.net • © SVF Flow Controls, Inc. • Specifications subject to change without notice



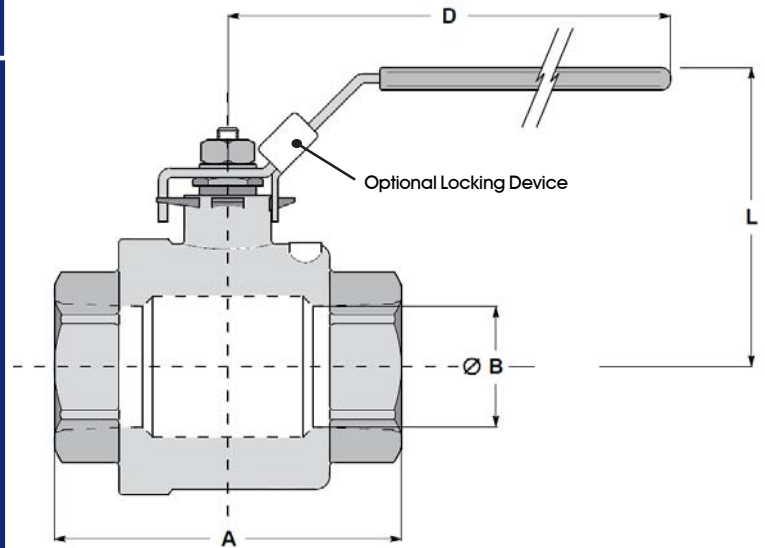
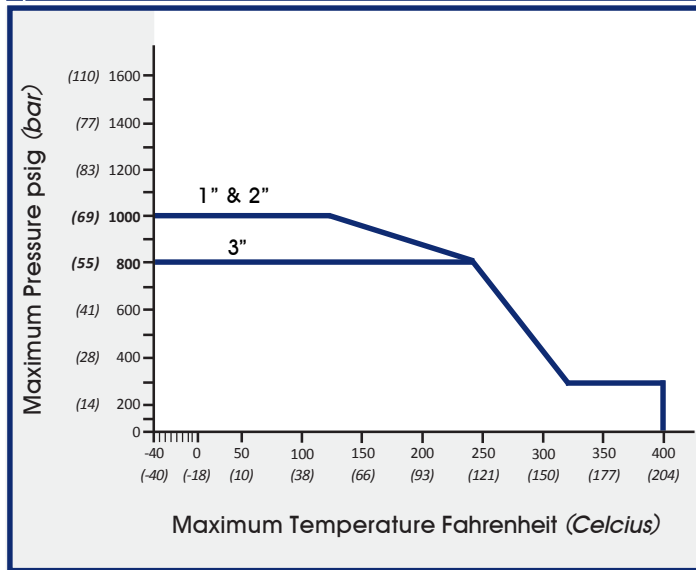
Two-Piece, Seal-Welded Ball Valve, Sizes 1" ~ 3"



DIMENSIONS, WEIGHT, Cv

Size	A		B		D		L		Weight.		Cv
	in.	mm	in.	mm	in.	mm	in.	mm	lbs	kg	
1"	3.46	88	1.00	25	5.90	150	2.80	71	2.33	1.1	110
2"	4.92	125	2.00	50	5.90	150	3.74	95	8.75	4.0	485
3"	7.00	178	3.00	80	10.24	260	5.83	148	26.00	11.8	1152

BWEV6 - PRESSURE/TEMPERATURE CHART



HOW TO ORDER SERIES BWEV6 BALL VALVES

SERIES	BODY & END MATERIAL	BALL & STEM MATERIAL	SEAT	BODY SEAL	ENDS	SIZE
BWEV6	316 Stainless Steel ASTM A351 CF8M	316 Stainless Steel ASTM A351 CF8M	PTFE	PTFE	Screwed Ends (FNPT)	10 = 1" 20 = 2" 30 = 3"
Order Example: (BWEV610)						
<i>Example Description: 316 Stainless Steel Body & Ends, 316 Stainless Steel Ball & Stem, PTFE Seat, PTFE Body Seal, Screwed Ends (FNPT), 1" Size</i>						
BWEV6						10
Order Example: (BWEV6LH10)						
<i>Example Description: Same as above with optional Locking Handle</i>						

Subject to revision. Please visit www.SVF.net for the latest updates on this Data Sheet. All Data Sheets posted on our website supersede all prior publications • [Document #DDS-BWEV6-07/2010 • Series BWEV6 Data Sheet - 07/08/2010]