



The VS Series NEMA 4 solenoid valves are direct mount (NAMUR VDI/VDE 3845) valves used to pilot pneumatic actuators. The valve is a universal type (5/2 convertible to 3/2) and can be used on double acting or spring return actuators by simply installing the correct seal plates (see next page).

## "VS" SERIES DESIGN FEATURES

- ✓ May be used as a 3-way (VS-3) or 4-way (VS-4) pilot valve for spring return and double acting actuators respectively.
- ✓ Available in different voltages (120 VAC, 220 VAC, 12 VDC, 24 VDC).
- ✓ NAMUR mounting interface.
- ✓ Rated to NEMA 4, IP65.
- ✓ Class "F" coil standard.
- ✓ Class "H" coil available (upon request).



The "VS" Series solenoid valve is a standard NEMA 4/IP65 type.  
(Refer to *How to Order*, below).

## "VS" SERIES GENERAL SPECIFICATIONS

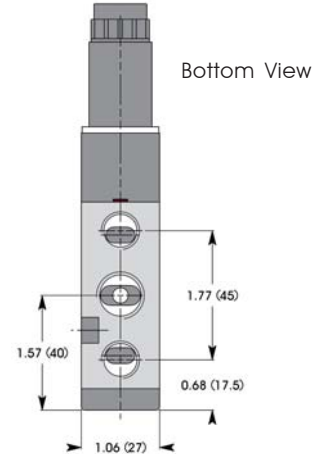
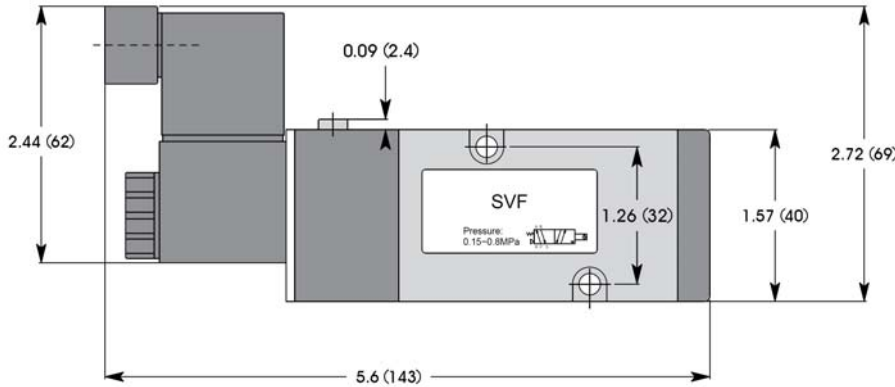
Type	5/2, 3/2		
Air Pressure	21psi to 216 psi		
Temperature	41°F to 122°F		
Voltages	Standard	Optional	
	60/50 Hz AC	110V/120V, 220V	24V
	DC	24V	12V
Power Consumption	AC 5.5VA, DC 4.8W		
Air Connections	1/4" NPT		
Air Flow (Cv)	1.40		
Electrical Entry	1/2" NPT/DIN Type		
Rating/Enclosure	NEMA 4 (IP65)		
Weight	1 lb.		

## HOW TO ORDER "VS" SERIES NAMUR SOLENOID VALVE

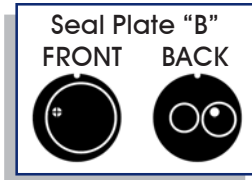
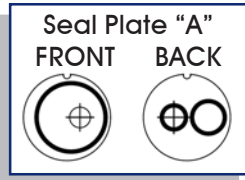
UNIT CODE	CODE WHEN INSTALLED ON SVF ACTUATOR
VS-3/4 (Universal)+ Specify Voltage (See General Specifications Above)	VS-3 (3-Way for Spring Return) + Specify Voltage VS-4 (4-Way for Double Acting) + Specify Voltage



## "VS" SOLENOID VALVE DIMENSIONS



## "VS" SOLENOID VALVE IOM



**Pilot Valve Kit Includes:**

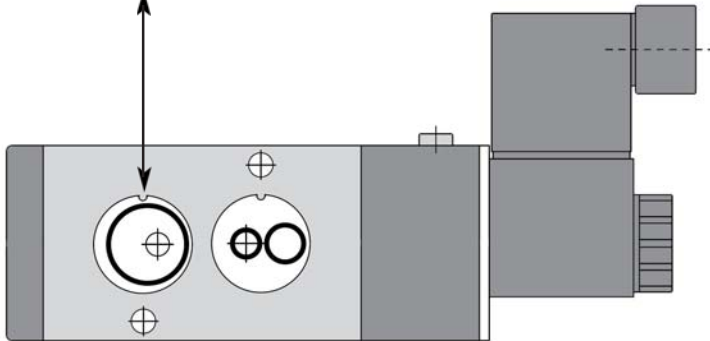
QTY	ITEM
1	Valve
1	Set of Fasteners
2	Seal Plate "A"
1	Seal Plate "B"
2	Brass Filters

For Double Acting  
Actuator use:  
2 X Seal Plate "A"

For Spring Return  
Actuator use:  
1 X Seal Plate "A"  
1 X Seal Plate "B"



Change out Seal Plate  
for Spring Return  
(Three-Way Operation)



VS-3/4 is the universal valve part number for "VS" Series.  
The "VS" may be used as a 3-Way or 4-Way pilot valve.

When using the *aero2* actuator, mount the  
VS solenoid valve as shown:

