

Three-Piece, Fire Safe Ball Valve, Sizes 1/2" ~ 4"

SF8

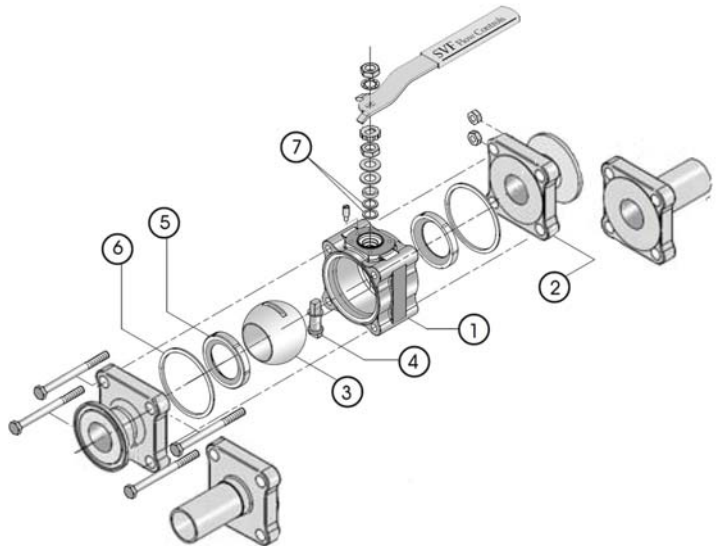
The SVF Series SF8 are high performance, three-piece, fire-safe ball valves certified to the latest API-607 standards. These valves satisfy a wide range of industrial applications for processing and handling flammable fluids.

SERIES SF8 DESIGN FEATURES

- ✓ Fire-safe design complies with API-607
- ✓ Secondary metal back up seat
- ✓ Anti-Static stem device
- ✓ Encapsulated body seals to facilitate welding without disassembly
- ✓ Live-loaded stem packing ensures seal-tight pressure containment even under thermal cycling
- ✓ ISO 5211 mounting pad for easy actuation
- ✓ Standard seat material is TFM1600™
- ✓ Blowout proof stem adds safety & reliability
- ✓ Standard interior finish is 20Ra or better
- ✓ End connections include Tri-Clamp and Extended Tube O.D.
- ✓ ETO ends are designed for orbital welding



The Series SF8 Ball Valve is available with additional options. Contact SVF for more information.



MATERIALS OF CONSTRUCTION

ITEM	DESCRIPTION	MATERIALS SPECIFICATIONS (Additional options available)
1	Body	316 Stainless Steel (ASTM A351 CF8M)
2	End Connector	316L Stainless Steel (ASTM A351 CF3M)
3	Ball	316 Stainless Steel (ASTM A351 CF8M)
4	Stem	316 Stainless Steel (ASTM A276)
5	Seat	TFM1600™
6	Body Seal	GRAFOIL®
7	Stem Seal	GRAFOIL®

SPECIFICATION STANDARDS OF COMPLIANCE

SVF Series SF8 Ball Valves are available in designs that meet the following Industry Standards:

- ANSI
- NACE
- DIN
- ASME
- ASTM
- ISO
- API
- MSS

Contact SVF for specific applications

What do you need today?™

HIGH PURITY
CleanFLOW
 www.CleanFLOW.net

PRO-SPEC
 PROCESS SPECIFIC
 WWW.PRO-SPEC.NET

QUALITY FLOWS
 THROUGH US



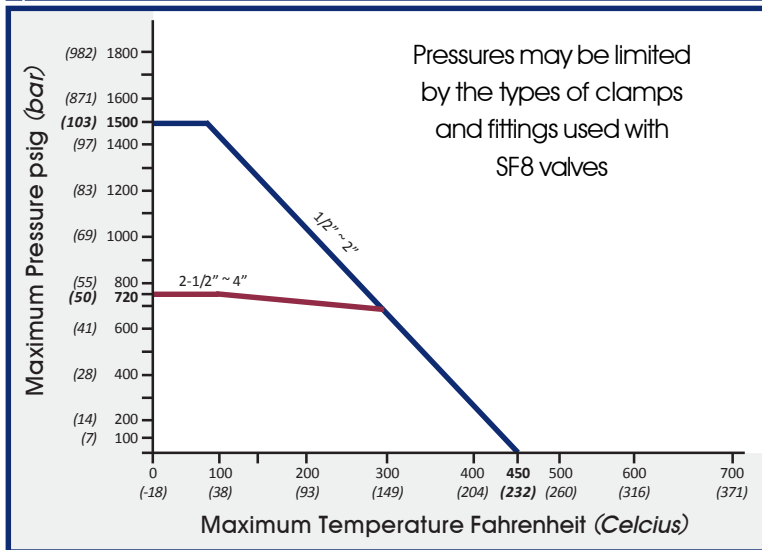
Three-Piece, Fire Safe Ball Valve, Sizes 1/2" ~ 4"

SF8

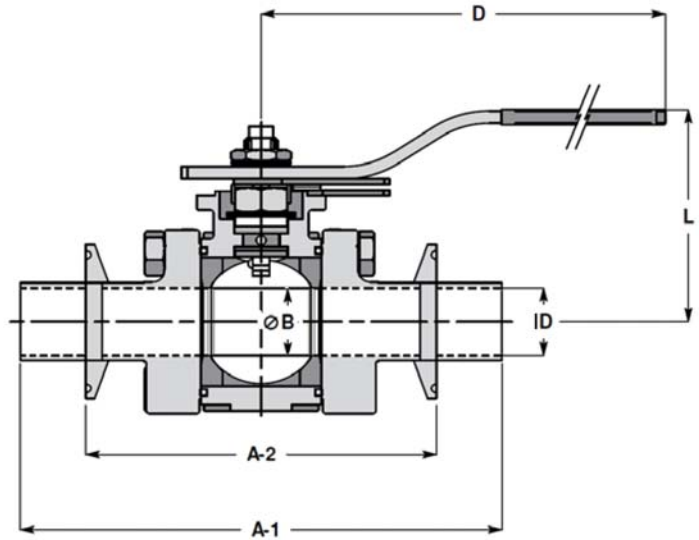
DIMENSIONS, WEIGHT, C_v, TORQUE

Size	A-1		A-2		B		D		L		ID		Weight		C _v	Torque*	
	in.	mm	in.	mm	in.	mm	in.	mm	in.	mm	in.	mm	lbs	kg		in-lb _f	Nm
1/2"	5.50	140	3.50	89	0.39	10	5	127	1.8	46	0.37	9	1.8	0.8	5	45	5
3/4"	6.00	152	4.00	102	0.59	15	5	127	2.0	51	0.62	16	2.1	1.0	12	45	5
1"	6.50	165	4.50	114	0.79	20	6	148	2.6	66	0.87	22	3.9	1.8	32	100	11
1-1/2"	7.50	191	5.50	140	1.26	32	7	183	3.2	82	1.37	35	7.6	3.4	80	280	32
2"	8.00	203	6.25	159	1.50	38	7	183	3.4	87	1.87	47	11	5.0	104	360	41
2-1/2"	9.50	241	6.75	171	1.97	50	11	267	3.8	96	2.37	60	13	5.9	240	560	63
3"	10.50	267	7.00	178	2.95	75	13.75	349	6.6	168	2.87	73	36	16.3	1100	1300	147
4"	12.50	318	8.50	216	3.78	96	13.75	349	7.14	181	3.83	97	56	25.4	2100	1400	158

SF8 - PRESSURE/TEMPERATURE CHART



* At full differential pressure for clean fluids with TFM1600™ Seats



HOW TO ORDER SERIES SF8 BALL VALVES

SERIES	BODY & END MATERIAL	BALL & STEM MATERIAL	SEAT	BODY SEAL	ENDS	SIZE
SF8 = Sanitary Fire Safe	66 = 316 Stainless Steel ASTM A351 CF8M Body CF3M 316L Ends	66 = 316 Stainless Steel ASTM A351 CF8M Ball A276 316 Stem	A = TFM1600™	G = GRAFOIL®	TR = Tri-Clamp Ends ETO = Extended Tube O.D. Ends Other End Connection Options Available	05= 1/2" 20= 2" 07= 3/4" 25= 2-1/2" 10= 1" 30= 3" 15= 1-1/2" 40= 4"
Order Example: (SF86666AGTR05)						

Example Description: Stainless Steel Body & Ends, Stainless Steel Ball & Stem, TFM1600™ Seat, GRAFOIL® Body Seal, Tri-Clamp Ends, 1/2" Size

SF8	66	66	A	G	TR	05
-----	----	----	---	---	----	----