



# CLEANTECH Series SB6 Ball Valve

Three-Piece, High Purity Clamp End Ball Valve

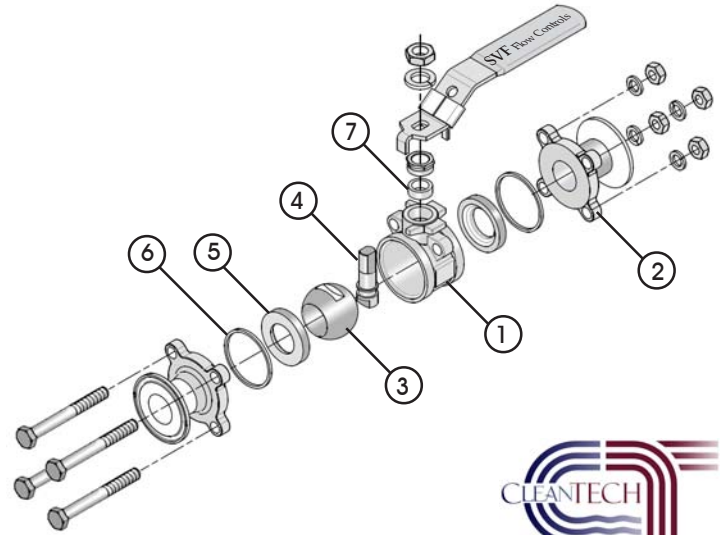
Sizes 1/2" ~ 4"

**SB6**

The SVF Series SB6 Ball Valve is part of our family of CleanTECH® products, and is designed for applications throughout the Food & Beverage, Cosmetic and Fragrance industries.

## SERIES SB6 DESIGN FEATURES

- ≡ Three-piece investment cast stainless steel
- ≡ TFM1 600™ seat material and PTFE body seal material complies with FDA CFR Title 21 Part 177.1550
- ≡ Clamp tube ends for easy valve removal
- ≡ Three-piece "swing out" design offers easy access for in-line maintenance
- ≡ Blowout proof stem adds safety & reliability
- ≡ "Tube-ID" flow path for drainability
- ≡ Locking Device helps prevent accidental operation
- ≡ All materials comply with applicable ASTM material specifications and FDA, USDA and 3A requirements
- ≡ Available with cavity filled seats (SBC6)



## MATERIALS OF CONSTRUCTION

ITEM	DESCRIPTION	MATERIALS SPECIFICATIONS (Additional options available)
1	Body	316 Stainless Steel (ASTM A351 CF8M)
2	End Connector	316 Stainless Steel (ASTM A351 CF8M)
3	Ball	316 Stainless Steel
4	Stem	316 Stainless Steel
5	Seat	TFM1 600™
6	Body Seal	PTFE
7	Stem Seal	PTFE

## SPECIFICATION STANDARDS OF COMPLIANCE

Series SB6 valves are designed to comply with the following industry standards:

- ASME/BPE for pharmaceutical equipment, surface finish, "Tube-ID" flow path and materials
- All materials comply with ASTM, FDA and 3A guidelines
- TFM1 600™ seat material and PTFE body seal material complies with FDA CFR Title 21 Part 177.1550

What do you need today?™

**SVFProjects**  
PERFORMANCE ENGINEERED

**PRO-SPEC**  
PROCESS SPECIFIC  
WWW.PRO-SPEC.NET

**SVFmobile.net**  
YOUR RESOURCE IS WITHIN REACT

www.SVF.net

SVF Flow Controls, Inc. • 13560 Larwin Circle • Santa Fe Springs, CA 90670 • Tel: 1.800.783.7836 • FAX: 562.802.3114  
Sales@SVF.net • Visit our website: www.SVF.net • © SVF Flow Controls, Inc. • Specifications subject to change without notice

Specifications subject to change. Please visit www.SVF.net for the latest updates on this Data Sheet. All Data Sheets posted on our website supersede all prior publications • [Document #DDS-SB6-07/14/2010 • Series SB6 Data Sheet - 07/14/2010]



# CLEANTECH Series SB6 Ball Valve

## Three-Piece, High Purity Clamp End Ball Valve

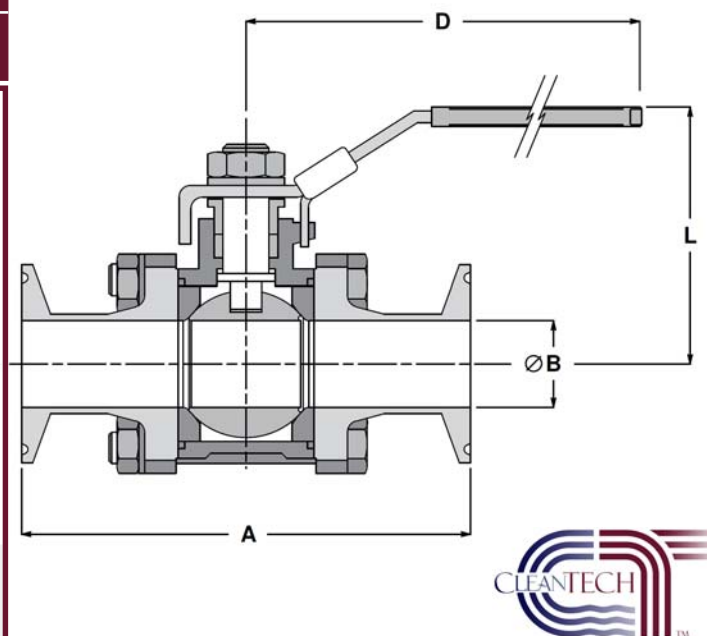
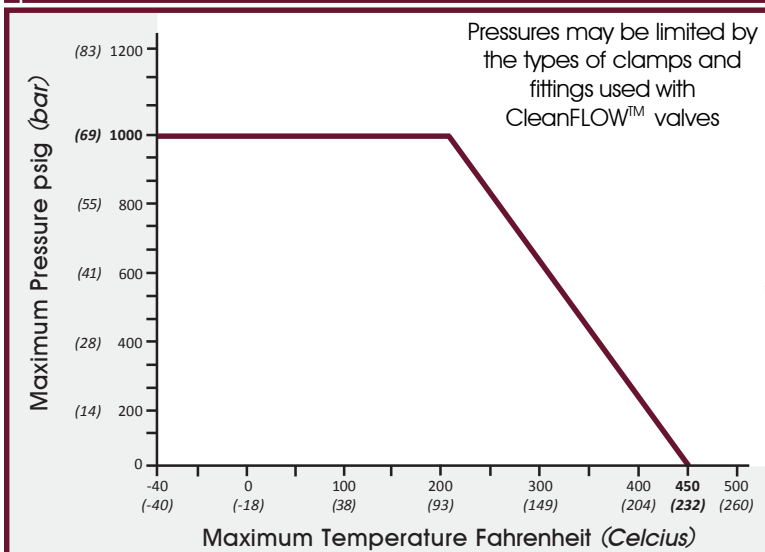
### Sizes 1/2" ~ 4"

**SB6**

### DIMENSIONS, WEIGHT, Cv, TORQUE

Size	A		B		D		L		Weight.		Cv
	in.	mm	in.	mm	in.	mm	in.	mm	lbs	kg	
1/2"	3.50	89	0.37	9	4	104	1.9	48	1	0.5	8
3/4"	3.99	101	0.62	16	5	124	2.1	53	1.2	0.5	29
1"	4.50	114	0.87	22	6	145	2.5	63	2.3	1.0	66
1-1/2"	5.50	140	1.37	35	8	191	3.0	76	4.7	2.1	192
2"	6.24	158	1.87	48	8	191	3.4	86	7.5	3.4	434
2-1/2"	6.74	172	2.37	60	10	249	5.3	135	20	9.1	723
3"	7.00	178	2.87	73	10	249	5.7	145	30	13.6	1124
4"	8.50	216	3.83	97	11	287	6.8	173	40	18.2	2100

### SB6 - PRESSURE/TEMPERATURE CHART



### HOW TO ORDER SERIES SB6 BALL VALVES

SERIES	BODY & END MATERIAL	BALL & STEM MATERIAL	SEAT	BODY SEAL	ENDS	SIZE	
SB6	6 = 316 Stainless Steel ASTM A351 CF8M	6 = 316 Stainless Steel	A = TFM1600™	T = PTFE	TR = Clamp Ends	05 = 1/2"	20 = 2"
SBC6 = Cavity Filled Seats						07 = 3/4"	25 = 2-1/2"
						10 = 1"	30 = 3"
						15 = 1-1/2"	40 = 4"
<b>Order Example: (SB666ATTR05)</b>							
<b>Example Description: Stainless Steel Body &amp; Ends, Stainless Steel Ball &amp; Stem, TFM1600™ Seat, PTFE Body Seal, Clamp Ends, 1/2" Size</b>							
SB6	6	6	A	T	TR	05	

Specifications subject to change. Please visit [www.SVF.net](http://www.SVF.net) for the latest updates on this Data Sheet. All Data Sheets posted on our website supersede all prior publications • [Document #DDS-SB6-07/14/2010 • Series SB6 Data Sheet - 07/14/2010]