



The PV Series NEMA 4 solenoid valves are UL/CSA approved, direct mount (NAMUR VDI/VDE 3845) valves used to pilot pneumatic actuators. The valve is a universal type (5/2 convertible to 3/2) and can be used on double acting or spring return actuators by simply installing the correct seal plates (see next page).

### "PV" SERIES DESIGN FEATURES

- ✓ May be used as a 3-way (PV-3) or 4-way (PV-4) pilot valve for spring return and double acting actuators respectively.
- ✓ Available in different voltages (120 VAC, 240 VAC, 12 VDC, 24 VDC).
- ✓ 2.5-watt low power consumption.
- ✓ NAMUR mounting interface
- ✓ Rated to NEMA 4, IP65.
- ✓ Class "F" coil standard.
- ✓ Class "H" coil available (upon request).



The "PV" Series solenoid valve is a NEMA 4/IP65 "UL/CSA" approved version.  
(Refer to *How to Order*, below)

### "PV" SERIES GENERAL SPECIFICATIONS

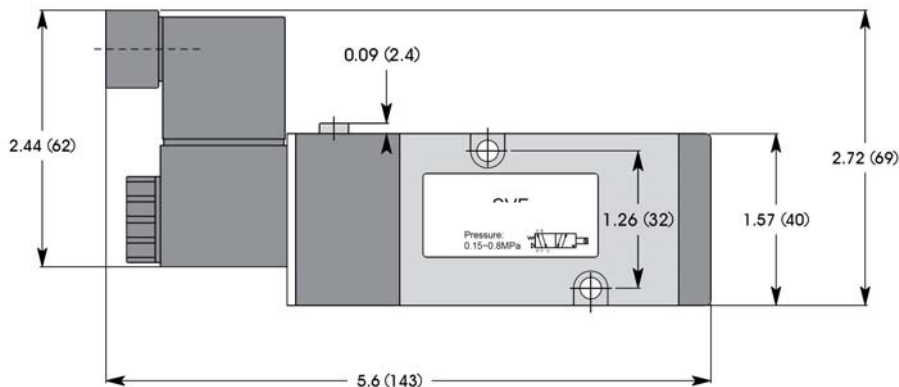
Type	5/2, 3/2		
Air Pressure	21psi to 216 psi		
Temperature	41°F to 122°F		
Voltages	Standard	Optional	
	60/50 Hz AC	110V/120V, 220V/240V	24V
	DC	24V	12V
Power Consumption	AC 2.5W Low Power Consumption to 4.7W (Max), DC 4.7W (Max)		
Air Connections	1/4" NPT		
Air Flow (Cv)	1.40		
Electrical Entry	1/2" NPT/DIN Type		
Rating/Enclosure	NEMA 4 (IP65)		
Weight	1 lb.		

### HOW TO ORDER "PV" SERIES NAMUR SOLENOID VALVE

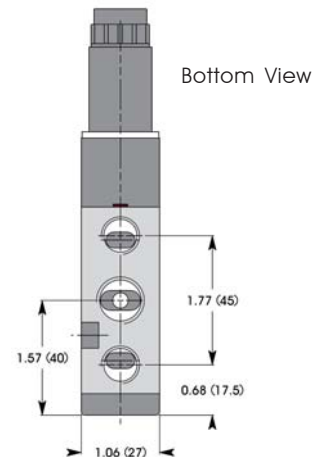
UNIT CODE	CODE WHEN INSTALLED ON SVF ACTUATOR
PV-3/4 (Universal)+ Specify Voltage (See General Specifications Above)	PV-3 (3-Way for Spring Return) + Specify Voltage PV-4 (4-Way for Double Acting) + Specify Voltage



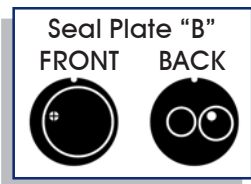
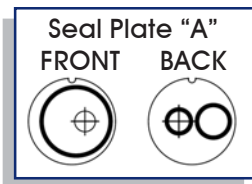
## "PV" SOLENOID VALVE DIMENSIONS



Dimensions in inches (mm)  
C<sub>v</sub> = 1.40



## "PV" SOLENOID VALVE IOM



### Pilot Valve Kit Includes:

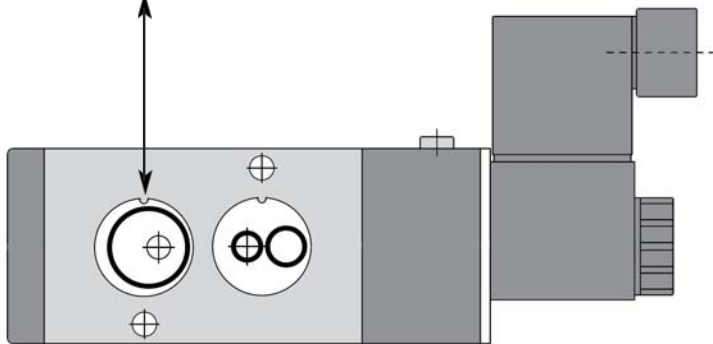
QTY	ITEM
1	Valve
1	Set of Fasteners
2	Seal Plate "A"
1	Seal Plate "B"
2	Brass Filters

For Double Acting  
Actuator use:  
2 X Seal Plate "A"

For Spring Return  
Actuator use:  
1 X Seal Plate "A"  
1 X Seal Plate "B"



Change out Seal Plate  
for Spring Return  
(Three-Way Operation)



PV-3/4 is the universal valve part number for "PV" Series (UL/CSA approved).  
The "PV" may be used as a 3-Way or 4-Way pilot valve.

When using the *aero2* actuator, mount the  
PV solenoid valve as shown:

