

Scan the barcode with your SmartPhone app and view the latest publication of this document

The SVF Series N8/BN8, three-piece ball valves represent the next generation in design and performance for Steam and Thermal Fluid applications. These process-quality, high performance valves have been engineered to meet all of the industry standards for quality and performance. The feature rich design adds safety, reliability and superior performance to any process control system.

### SERIES N8/BN8 DESIGN FEATURES

- ✓ High performance design for industrial steam and thermal fluid applications
- ✓ Encapsulated body seals to facilitate welding without disassembly
- ✓ SupraLon™ seats are specifically designed for high temperature, steam and thermal fluids
- ✓ Live-loaded stem packing ensures seal-tight pressure containment even under thermal cycling
- ✓ Three-piece "swing out" design offers easy access for in-line maintenance
- ✓ ISO 5211 mounting pad for easy actuation
- ✓ Blowout proof stem adds safety & reliability
- ✓ Stainless steel valves have 316L ends
- ✓ Full range of options to suit specific requirements

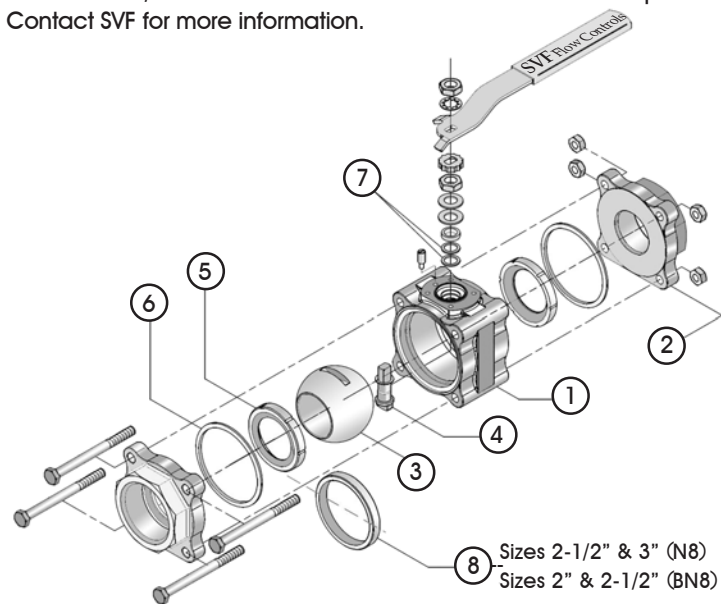


The Series N8/BN8 Ball Valves are available with additional options. Contact SVF for more information.

### MATERIALS OF CONSTRUCTION

ITEM	DESCRIPTION	MATERIALS SPECIFICATIONS (Additional options available)
1	Body	316 Stainless Steel (ASTM A351 CF8M) Carbon Steel (ASTM A216 WCB)
2	End Connector	316L Stainless Steel (ASTM A351 CF3M) Carbon Steel (ASTM A216 WCB)
3	Ball	316 Stainless Steel (ASTM A351 CF8M)
4	Stem	316 Stainless Steel (ASTM A276)
5	Seat	SupraLon™
6	Body Seal	SupraLon™
7	Stem Seal	SupraLon™
8	Retainer	316 Stainless Steel

NOTE: Sizes 2-1/2" & 3" (N8) | Sizes 2" & 2-1/2" (BN8)



### SVF "Therma-Safe™"

The SVF "Therma-Safe™" is a rugged and modular extension device that provides manual access to valves installed in insulated piping systems while providing a safe operating distance for valves used in high temperature service. The modular design allows this unit to be fitted directly to the ISO mounting pad found on SVF ball valves.



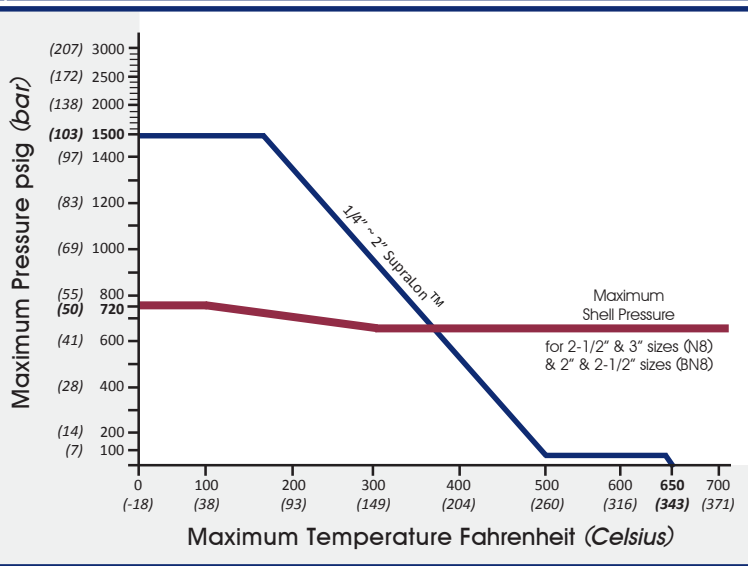
**What do you need today?™**



**DIMENSIONS, WEIGHT, Cv, TORQUE: N8= Standard Port, BN8= Full Port**

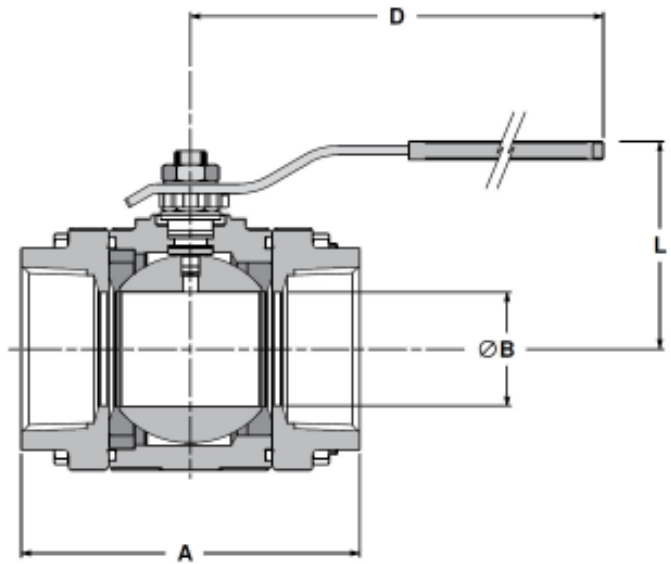
Size N8   BN8	A		B		D		L		Weight.		Cv	Torque**		
	in.	mm	in.	mm	in.	mm	in.	mm	lbs	kg		in-lb <sub>f</sub>	Nm	
1/4" *	--	2.60	66	0.44	11	5	127	1.8	45	2	0.9	3	50	6
3/8" *	--	2.60	66	0.44	11	5	127	1.8	45	2	0.9	5	50	6
1/2"	--	2.60	66	0.44	11	5	127	1.8	45	2	0.9	8	50	6
3/4"	1/2"	2.81	71	0.56	14	5	127	1.9	48	2	0.9	12	50	6
1"	3/4"	3.70	94	0.81	20	6	152	2.4	61	4	1.8	32	150	17
1-1/4"	1"	4.25	106	1.00	25	6	152	2.6	66	5	2.2	57	175	20
1-1/2"	1-1/4"	4.57	114	1.25	32	7	178	3.2	81	7	3.2	80	450	51
2"	1-1/2"	5.04	128	1.50	38	7	178	3.3	84	11	5.0	104	600	68
2-1/2"	2"	5.95	151	2.00	51	11	279	3.4	86	17	7.7	240	925	105
3"	2-1/2"	6.68	170	2.50	63	14	355	7.3	185	30	13.6	320	1500	170

### N8/BN8 - PRESSURE/TEMPERATURE CHART



\* 1/4" and 3/8" N8 valves are Full Port

\*\* At full differential pressure for clean fluids with SupraLon™ Seats



### HOW TO ORDER SERIES N8/BN8 BALL VALVES

SERIES	BODY & END MATERIAL	BALL & STEM MATERIAL	SEAT	BODY SEAL	ENDS	SIZE
N8 = Standard Port BN8 = Full Port	<b>44</b> = Carbon Steel ASTM A216 WCB  <b>66</b> = 316 Stainless Steel ASTM A351 CF8M Body CF3M 316L Ends  <b>88</b> = Alloy 20 ASTM A351 CN7M  <b>99</b> = Hastelloy ASTM A494 CW12MW	<b>66</b> = 316 Stainless Steel ASTM A351 CF8M Ball A276-316 Stem  <b>88</b> = Alloy 20 ASTM A351 CN7M  <b>99</b> = Hastelloy ASTM A494 CW12MW  <b>33</b> = Monel ASTM B164 N04400	S = SupraLon™	S = SupraLon™	<b>SE</b> = Screwed Ends (FNPT)  <b>SW</b> = Socket Weld Ends  <b>BW</b> = Butt Weld Ends  Other End Connection Options Available	<b>02</b> = 1/4"* <b>12</b> = 1-1/4"  <b>03</b> = 3/8"* <b>15</b> = 1-1/2"  <b>05</b> = 1/2" <b>20</b> = 2"  <b>07</b> = 3/4" <b>25</b> = 2-1/2"  <b>10</b> = 1" <b>30</b> = 3"  *1/4" and 3/8" are Full Port
<b>Order Example: (N84466SSSE05)</b>						
<b>Example Description: Standard Port, Carbon Steel Body &amp; Ends, 316 Stainless Steel Ball &amp; Stem, SupraLon™ Seat, SupraLon™ Body Seal, Screwed Ends (FNPT), 1/2"</b>						
S N8	44	66	S	S z	SE	05 e

Specifications subject to change. Please visit www.SVF.net for the latest updates on this Data Sheet. All Data Sheets posted on our website supersede all prior publications. [Document #DDS-N8/BN8-03/02/2010 • Series N8/BN8 Data Sheet • 09/12/2011]