



Scan the barcode with your SmartPhone app and view the latest publication of this document

Series HBEV Ball Valve

High Pressure, Fire Safe Ball Valve

Sizes 1/2" ~ 2"

HBEV

The SVF Series HBEV high pressure, fire safe ball valve is designed to meet applications up to 6,000 psi. This high performance valve adds safety and reliability to high pressure systems and applications in a wide range of industrial applications.

SERIES HBEV DESIGN FEATURES

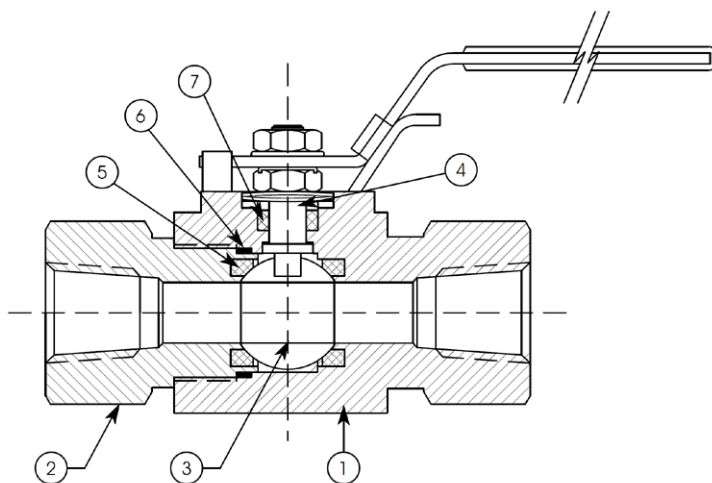
- ✓ High pressure to 6,000 psi
- ✓ Seal Welded Construction
- ✓ Full Ported flow path in a high performance design for process-quality applications
- ✓ Fire Safe certification to API-607
- ✓ Live loaded stem packing ensures seal-tight pressure even under thermal cycling
- ✓ Latch lock handle is standard
- ✓ ISO 5211 mounting pad for easy actuation
- ✓ Seat materials:
Delrin® seats standard with SE (Screwed End) valves
PEEK seats standard with SW (Socket Weld) valves.
- ✓ Stainless Steel construction



The Series HBEV Two-Piece Seal Welded Ball Valve.

MATERIALS OF CONSTRUCTION

ITEM	DESCRIPTION	MATERIALS SPECIFICATIONS (Additional options available)
1	Body	Stainless Steel (ASTM A351 CF8M)
2	End Connector	Stainless Steel (ASTM A351 CF8M)
3	Ball	Stainless Steel (ASTM A351 CF8M)
4	Stem	Stainless Steel 17-4 ph (ASTM A564 630)
5	Seat	Delrin® (Screwed End Valves), PEEK (Socket Weld Valves)
6	Body Seal	PTFE, GRAFOIL® (GRAFOIL® Body Seal only on Socket Weld Valves)
7	Stem Seal	GRAFOIL®



SPECIFICATION STANDARDS OF COMPLIANCE

SVF Series HBEV Ball Valves are available in designs that meet the following Industry Standards:

- ANSI
- NACE
- DIN
- ASME
- ASTM
- ISO
- API
- MSS

Contact SVF for specific applications

What do you need today?™



Data subject to change. Visit www.SVF.net for the latest updates on this Data Sheet. All Data Sheets posted on our website supersede all prior publications • (Document #SVF_HBEV_Data_Sheet • HBEV Data Sheet - 06/31/2011)

www.SVF.net

SVF Flow Controls, Inc. • 13560 Larwin Circle • Santa Fe Springs, CA 90670 • Tel: 1.800.783.7836 • FAX: 562.802.3114
Sales@SVF.net • Visit our website: www.SVF.net • © SVF Flow Controls, Inc. • Specifications subject to change without notice



Scan the barcode with your SmartPhone app and view the latest publication of this document

Series HBEV Ball Valve

High Pressure, Fire Safe Ball Valve

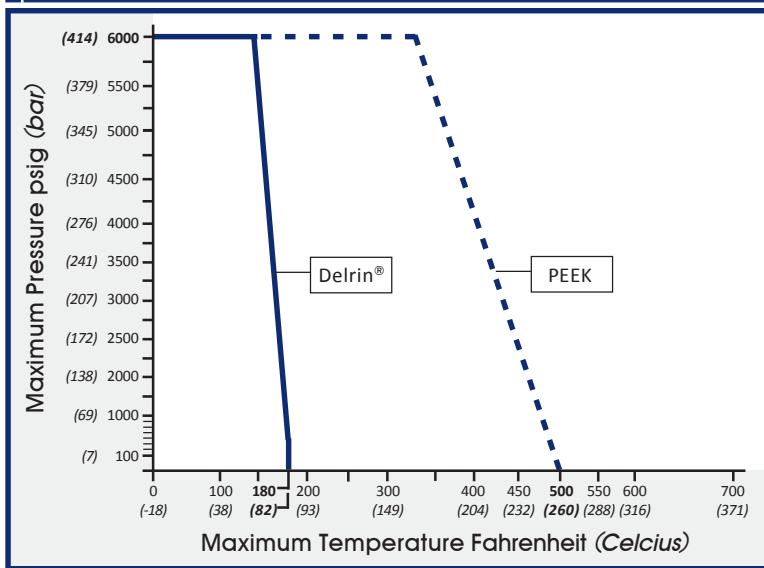
Sizes 1/2" ~ 2"

HBEV

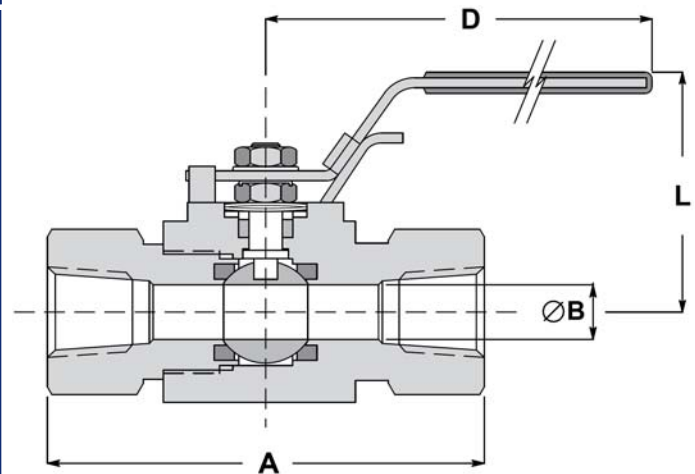
DIMENSIONS, WEIGHT, Cv, TORQUE

Size	A		B		D		L		Weight.		Cv	Torque*	
	in.	mm	in.	mm	in.	mm	in.	mm	lbs	kg		in-lb _f	Nm
1/2"	3.99	101	0.50	12.7	5	129	2.2	57	2	0.9	10	150	17
3/4"	4.25	108	0.75	20.0	6.3	150	2.7	71	4	1.8	32	200	23
1"	4.50	114	1.00	25.4	8.25	205	3.5	82	5	2.3	57	320	36
1-1/2"	5.25	133	1.50	38.1	10.2	260	4.5	105	11	5.0	104	575	65
2"	6.64	169	2.00	50.8	10.2	260	4.8	114	17	7.7	240	1000	113

HBEV - PRESSURE/TEMPERATURE CHART



* At full differential pressure for clean fluids with Delrin® Seats



HOW TO ORDER SERIES HBEV BALL VALVES

SERIES	BODY & END MATERIAL	BALL & STEM MATERIAL	SEAT**	BODY SEAL**	ENDS**	SIZE
HBEV7 = Full Port	6 = 316 Stainless Steel ASTM A351 CF8M	6 = 316 Stainless Steel ASTM A351 CF8M Ball with Stainless Steel 17-4 ph ASTM A564 630 Stem	D = Delrin® K = PEEK	T = PTFE G = GRAFOIL®	SE = Screwed Ends (FNPT) SW = Socket Weld Ends	05 = 1/2" 07 = 3/4" 10 = 1" 15 = 1-1/2" 20 = 2"
<p>** PEEK Seat available on SW (Socket Weld) valves only. GRAFOIL® Body Seal available on SW valves only. SW End valves have PEEK Seat and GRAFOIL® Body Seal.</p>						
<p>Order Example: (HBEV766DTSE05)</p>						

Example Description:

316 Stainless Steel Body & Ends, 316 Stainless Steel Ball with 17-4ph Stem, Delrin® Seat, PTFE Body Seal, Screwed Ends (FNPT), 1/2" Size

HBEV7	6	6	D	T	SE	05
-------	---	---	---	---	----	----

Data subject to change. Visit www.SVF.net for the latest updates on this Data Sheet. All Data Sheets posted on our website supersede all prior publications • [Document #SVF_HBEV_Data_Sheet • HBEV Data Sheet - 06/31/2011]