



Scan the barcode with your SmartPhone app and view the latest publication of this document

Series F8/FB8 Ball Valves

Three-Piece API-607 Fire Safe Ball Valves

Sizes 1/4" ~ 2"

F8/FB8

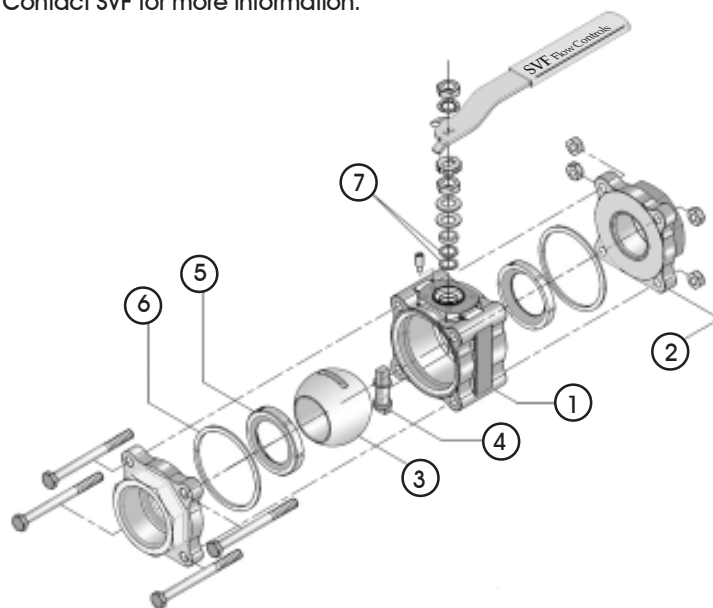
The SVF Series F8 (standard port) and FB8 (full port) are high performance, three-piece, fire-safe ball valves certified to the latest API-607 standards. These valves satisfy a wide range of industrial applications for processing and handling flammable fluids.

SERIES F8/FB8 DESIGN FEATURES

- ✓ Fire-safe certification to API-607
- ✓ Secondary metal back up seat
- ✓ Anti-Static stem device
- ✓ Encapsulated body seals to facilitate welding without disassembly
- ✓ Live-loaded stem packing ensures seal-tight pressure containment even under thermal cycling
- ✓ ISO 5211 mounting pad for easy actuation
- ✓ Standard seat material is TFM1600™
- ✓ Blowout proof stem adds safety & reliability



The Series F8/FB8 Ball Valves are available with additional options. Contact SVF for more information.



MATERIALS OF CONSTRUCTION

ITEM	DESCRIPTION	MATERIALS SPECIFICATIONS (Additional options available)
1	Body	316 Stainless Steel (ASTM A351 CF8M) Carbon Steel (ASTM A216 WCB)
2	End Connector	316L Stainless Steel (ASTM A351 CF3M) Carbon Steel (ASTM A216 WCB)
3	Ball	316 Stainless Steel (ASTM A351 CF8M)
4	Stem	316 Stainless Steel (ASTM A276)
5	Seat	TFM1600™
6	Body Seal	GRAFOIL®
7	Stem Seal	GRAFOIL®

SPECIFICATION STANDARDS OF COMPLIANCE

SVF Series F8/FB8 Ball Valves are available in designs that meet the following Industry Standards:

- ANSI
- NACE
- DIN
- ASME
- ASTM
- ISO
- API
- MSS

Contact SVF for specific applications

What do you need today?™



Specifications subject to change. Please visit www.SVF.net for the latest updates on this Data Sheet. All Data Sheets posted on our website supersede all prior publications • [Document #DDS-F8/FB8-03/02/2010 • Series F8/FB8 Data Sheet - 09/12/2011]

SVF Flow Controls, Inc. • 13560 Larwin Circle • Santa Fe Springs, CA 90670 • Tel: 1.800.783.7836 • FAX: 562.802.3114

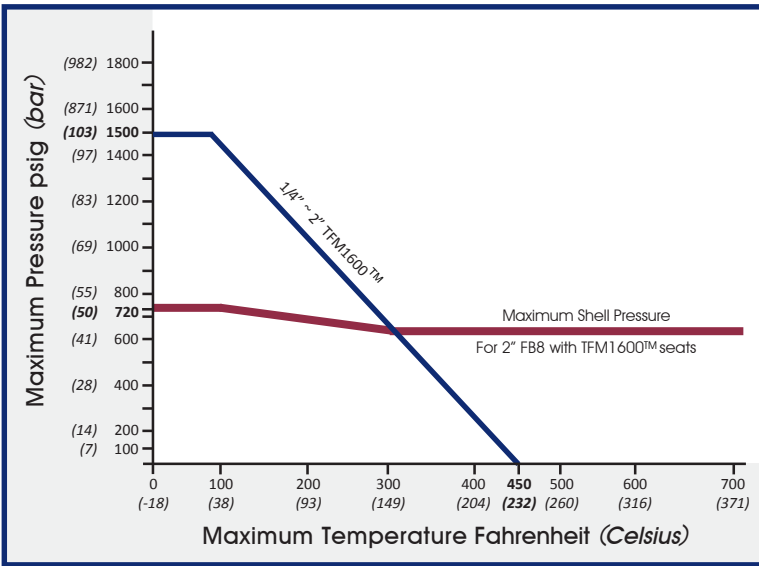
Sales@SVF.net • Visit our website: www.SVF.net • © SVF Flow Controls, Inc. • Specifications subject to change without notice

F8/FB8

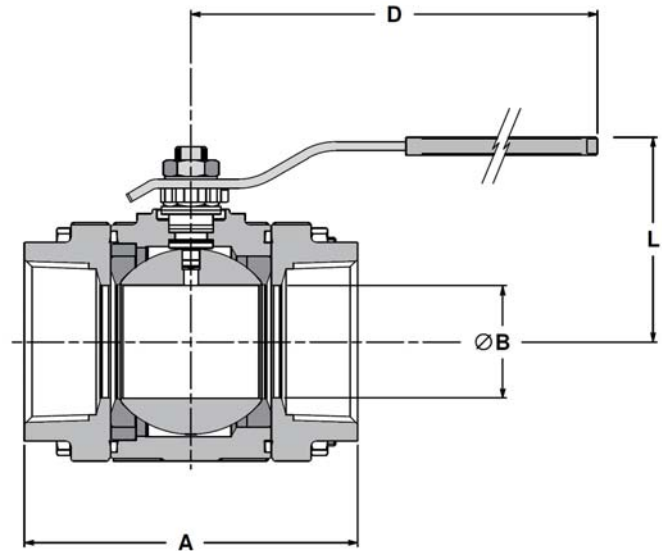
DIMENSIONS, WEIGHT, Cv, TORQUE: F8= Standard Port, FB8= Full Port

Size		A		B		D		L		Weight.		Cv	Torque*	
F8	FB8	in.	mm	in.	mm	in.	mm	in.	mm	lbs	kg		in-lb _f	Nm
--	1/4"	2.55	65	0.39	10	5	127	1.8	46	1.8	0.8	3	45	5
1/2"	3/8"	2.55	65	0.39	10	5	127	1.8	46	1.8	0.8	5	45	5
3/4"	1/2"	2.85	73	0.59	15	5	127	2.0	51	2.1	1.0	12	45	5
1"	3/4"	3.36	85	0.79	20	6	148	2.6	66	3.9	1.8	32	100	11
1-1/4"	1"	4.15	105	0.98	25	6	148	2.8	70	5.2	2.4	57	130	15
1-1/2"	1-1/4"	4.37	111	1.26	32	7	183	3.2	82	7.6	3.4	80	280	32
2"	1-1/2"	5.01	127	1.50	38	7	183	3.4	87	11	5.0	104	360	41
--	2"	5.71	145	1.97	50	11	267	3.8	96	13	5.9	240	560	63

F8/FB8 - PRESSURE/TEMPERATURE CHART



* At full differential pressure for clean fluids with TFM1600™ Seats



HOW TO ORDER SERIES F8/FB8 BALL VALVES

SERIES	BODY & END MATERIAL	BALL & STEM MATERIAL	SEAT	BODY SEAL	ENDS	SIZE
F8 = Standard Port FB8 = Full Port	44 = Carbon Steel ASTM A216 WCB 66 = 316 Stainless Steel ASTM A351 CF8M Body CF3M 316L Ends	66 = 316 Stainless Steel ASTM A351 CF8M Ball A276 316 Stem	A = TFM1600™	G = GRAFOIL®	SE = Screwed Ends (FNPT) SW = Socket Weld Ends BW = Butt Weld Ends Other End Connection Options Available	02 = 1/4" 10 = 1" 03 = 3/8" 12 = 1-1/4" 05 = 1/2" 15 = 1-1/2" 07 = 3/4" 20 = 2"
Order Example: (F84466AGSE05)						
Example Description: Standard Port, Carbon Steel Body & Ends, 316 Stainless Steel Ball & Stem, TFM1600™ Seat, GRAFOIL® Body Seal, Screwed Ends (FNPT), 1/2" Size						
F8	44	66	A	G	SE	05

Specifications subject to change. Please visit www.SVF.net for the latest updates on this Data Sheet. All Data Sheets posted on our website supersede all prior publications • [Document #DDS-F8/FB8-03/02/2010 • Series F8/FB8 Data Sheet - 09/12/2011]