



Scan the barcode with your SmartPhone app and view the latest publication of this document

# Series BZ9 Ball Valves

Three-Piece Bronze Ball Valve, Full Port

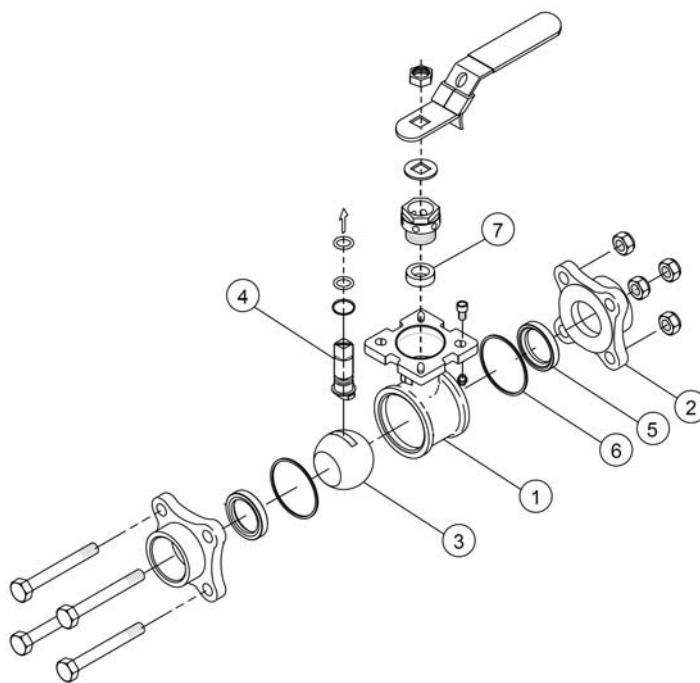
Sizes 1/2" ~ 2"

**BZ9**

The SVF Series BZ9 valves are designed for superior performance in general purpose, plant-wide applications. The direct-mount feature reduces the size and weight of traditional automated valves. The BZ9 features a double stem seal design to provide superior performance in high cycle applications.

## BZ9 DESIGN FEATURES

- ✓ Designed & built for economical performance
- ✓ Pressure rated for 600 p.s.i.
- ✓ Patented Adjustable Screw Gland
- ✓ Tested and inspected to API-598 standard
- ✓ Full Port flow path for maximum flow
- ✓ Built-In ISO 5211 direct mounting pad for easy automation
- ✓ End connections include SE (Screwed Ends, FNPT) and TE (Sweat Ends)
- ✓ Three-piece "swing out" design offers easy access for in-line maintenance
- ✓ Lockable in the "Open" or "Closed" position



## MATERIALS OF CONSTRUCTION

ITEM	DESCRIPTION	MATERIALS SPECIFICATIONS
1	Body	Bronze C84400
2	End Connector	Bronze C84400
3	Ball	316 Stainless Steel
4	Stem	316 Stainless Steel
5	Seat	PTFE
6	Body Seal	PTFE
7	Stem Seal	PTFE

## SPECIFICATION STANDARDS OF COMPLIANCE

SVF Series BZ9 Ball Valves are available in designs that meet the following Industry Standards:

- ANSI
- ASME
- ISO
- ASTM

Contact SVF for specific applications

What do you need today?™

**HIGH PURITY**  
**CleanFLOW**

**PRO-SPEC**  
PROCESS SPECIFIC  
WWW.PRO-SPEC.NET

**QUALITY FLOWS**  
THROUGH US



Scan the barcode with your Smartphone app and view the latest publication of this document

# Series BZ9 Ball Valves

Three-Piece Bronze Ball Valve, Full Port

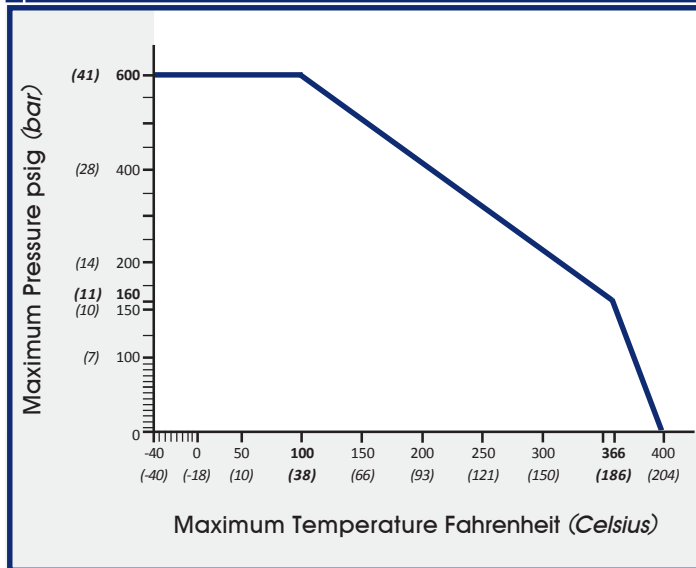
Sizes 1/2" ~ 2"

**BZ9**

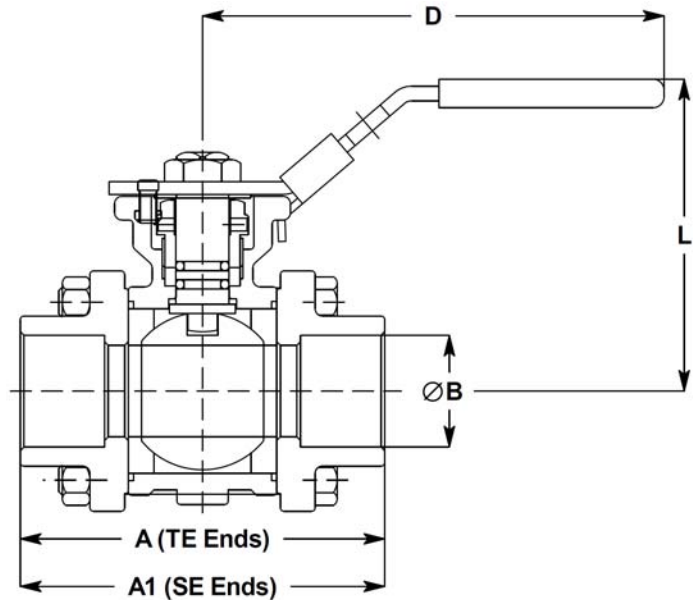
## DIMENSIONS, WEIGHT, Cv, TORQUE

Size	A (TE)		A1 (SE)		B		D		L		Weight.		Cv	Torque*	
	in.	mm	in.	mm	in.	mm	in.	mm	in.	mm	lbs	kg		in-lb <sub>f</sub>	Nm
1/2"	2.60	66	2.95	75	0.59	15	4.37	111	2.72	69	1.67	0.76	23	31	4
3/4"	3.07	78	3.19	81	0.81	21	4.37	111	3.11	79	2.24	1.02	50	66	7
1"	3.62	92	3.74	95	0.98	25	5.00	127	3.39	86	3.08	1.40	57	113	13
1-1/2"	4.53	115	4.37	111	1.50	38	5.87	149	4.53	115	5.94	2.70	170	240	27
2"	5.71	145	5.20	132	1.97	50	5.87	149	4.96	126	8.91	4.05	340	260	29

## BZ9 - PRESSURE/TEMPERATURE CHART



\* At full differential pressure for clean fluids with PTFE Seats



## HOW TO ORDER SERIES BZ9 BALL VALVES

SERIES	BODY & END MATERIAL	BALL & STEM MATERIAL	SEAT	BODY SEAL	ENDS	SIZE
BZ9	2 = Bronze C84400	6 = 316 Stainless Steel	T = PTFE	T = PTFE	SE = Screwed Ends (FNPT) TE = Sweat Ends	05 = 1/2" 07 = 3/4" 10 = 1" 15 = 1-1/2" 20 = 2"
<b>Order Example: (BZ926TTSE05)</b>						
<b>Example Description: Bronze Body &amp; Ends, 316 Stainless Steel Ball &amp; Stem, PTFE Seat, PTFE Body Seal, Screwed Ends (FNPT), 1/2" Size</b>						
BZ9	2	6	T	T	SE	05

Subject to revision. Please visit www.SVF.net for the latest updates on this Data Sheet. All Data Sheets posted on our website supersede all prior publications • [Document SVF\_BZ9\_Data\_Sheet • 01/10/2012]