



Scan the barcode with your SmartPhone app and view the latest publication of this document

Series 7B41 Flanged Ball Valves

For Hydrogen Peroxide Service
Sizes 1/2" ~ 8"

7B41

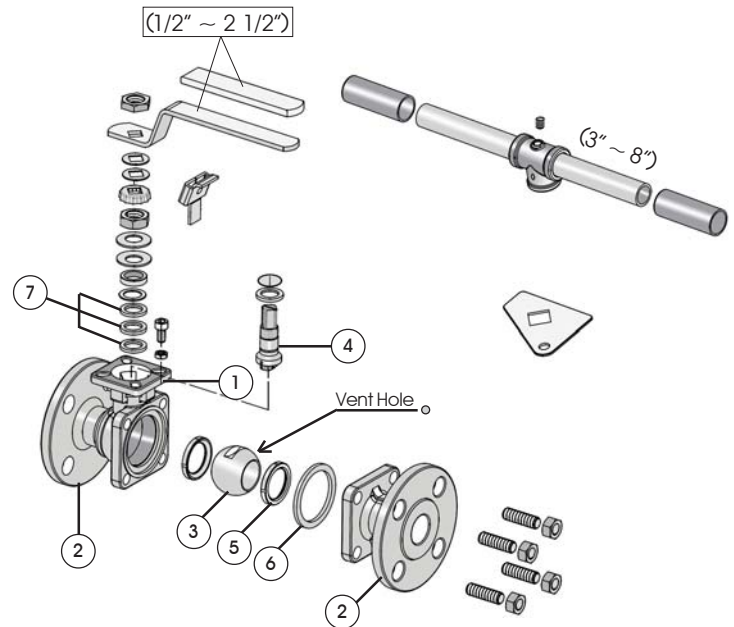
The SVF Series 7B41 Flanged, Full Ported Ball Valves are designed specifically for Hydrogen Peroxide Service. The materials of construction have been selected to meet the specific needs of Hydrogen Peroxide and the valve internals are designed to eliminate areas of entrapment where decomposition may occur.

SERIES 7B41 DESIGN FEATURES

- ✓ 316 Stainless Steel cast materials are passivated for H₂O₂ applications
- ✓ All valves are cleaned, bagged and sealed according to ASTM G-93 to remove contaminants
- ✓ An upstream vented ball provides pressure relief in the "Open" or "Closed" position
- ✓ TFM1 600™ seats and PTFE seals are compatible with H₂O₂
- ✓ Permanently affixed flow arrow ensures pressure relief alignment with process design
- ✓ Built-In ISO 5211 direct mounting pad for easy automation



Contact SVF for Gear Operator information.



MATERIALS OF CONSTRUCTION

ITEM	DESCRIPTION	MATERIALS SPECIFICATIONS
1	Body	316 Stainless Steel (ASTM A351 CF8M)
2	End Cap	316L Stainless Steel (ASTM A351 CF8M)
3	Ball	316 Stainless Steel (ASTM A351 CF8M)
4	Stem	SUS 316
5	Seat	TFM1 600™
6	Body Seal	PTFE
7	Stem Seal	PTFE

SPECIFICATION STANDARDS OF COMPLIANCE

- Stainless Materials are A351 (CF8M)
- Cleaning as per ASTM G-93
- ANSI Class 150# Flanged
- Face to Face according to ASME B16.10
- Inspection & Testing according to API 598

Series 7B41
Flanged Ball Valve
with SVF Series
*aero*² actuator



What do you need today?™

HIGH PURITY VALVES
CleanFLOW
CleanFLOWValves.net

PRO-SPEC
PROCESS-SPECIFIC
www.pro-spec.net

QUALITY FLOWS
THROUGH US



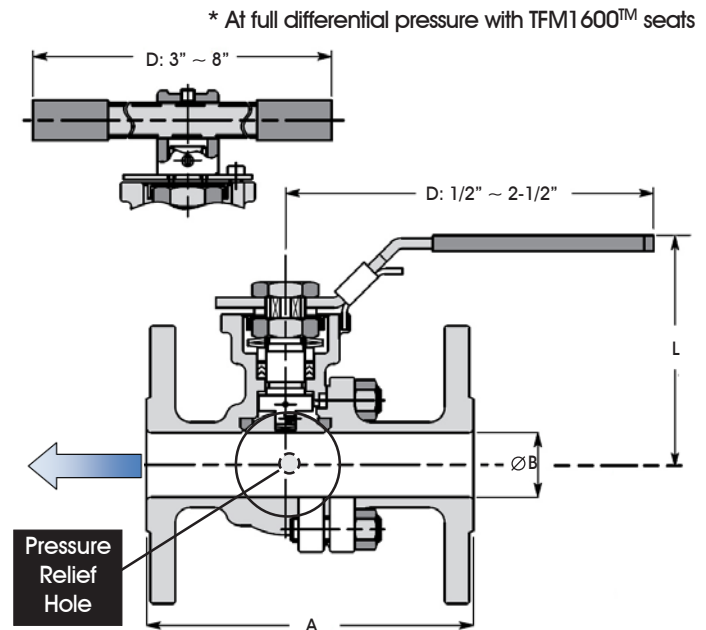
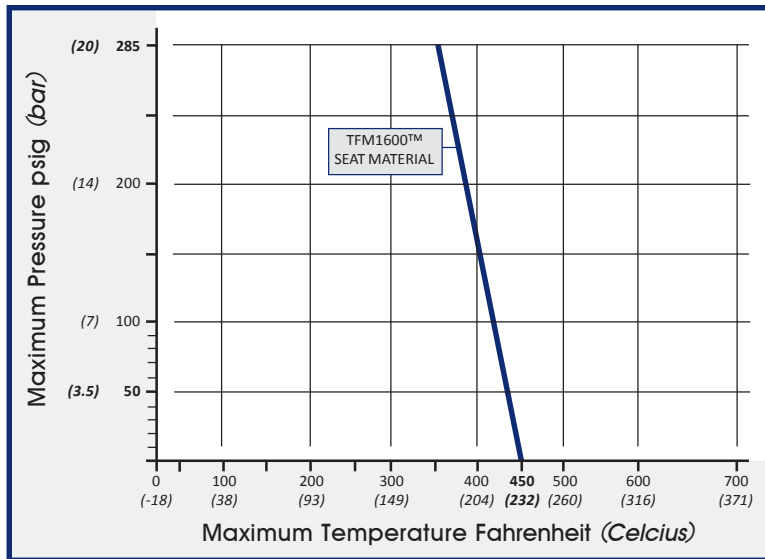
Flanged Ball Valves for Hydrogen Peroxide Service, Sizes 1/2" ~ 8"

7B41

DIMENSIONS, WEIGHT, C_v, TORQUE

Size	A		B		D		L		Weight.		C _v	Torque*	
	in.	mm	in.	mm	in.	mm	in.	mm	lbs	kg		in-lb _f	Nm
1/2"	4.25	108	0.59	15	5.70	145	3.1	78	4	1.8	25	72	8
3/4"	4.62	117	0.79	20	5.70	145	3.3	84	5	2.2	45	81	9
1"	5.00	127	0.98	25	6.90	175	3.5	89	6	2.7	85	130	15
1-1/2"	6.50	165	1.50	38	7.50	190	4.2	107	13	5.9	200	299	34
2"	7.00	178	1.97	50	7.50	190	4.4	112	24	10.9	320	371	42
2-1/2"	7.50	190	2.48	63	10.45	265	5.9	150	30	13.6	450	598	68
3"	8.00	203	2.99	76	11.80	300	6.3	160	38	17.4	600	988	112
4"	9.00	229	3.94	100	15.75	400	8.0	204	69	31.5	1100	1508	171
6"	15.50	394	5.91	150	31.50	800	11.8	300	161	73.6	2600	4160	470
8"	18.00	457	7.87	200	31.50	800	11.0	279	277	126.6	4200	6500	735

7B41 - PRESSURE/TEMPERATURE CHART



HOW TO ORDER SERIES 7B41 BALL VALVES

SERIES	BODY & END MATERIAL	BALL & STEM MATERIAL	SEAT	BODY SEAL	MOUNT	SIZE	
7B41	6 = 316 Stainless Steel ASTM A351 CF8M	6 = 316 Stainless Steel ASTM A351 CF8M Ball SUS-316 Stem	A = TFM1600™	T = PTFE	P = Direct Mount	05 = 1/2"	25 = 2-1/2"
						07 = 3/4"	30 = 3"
						10 = 1"	40 = 4"
						15 = 1-1/2"	60 = 6"
						20 = 2"	80 = 8"
Order Example: (7B4166ATP05)							
Example Description: Full Port, Stainless Steel Body & Ends, 316 Stainless Steel Ball & Stem, TFM1600™ Seat, PTFE Body Seal, Direct Mount, 1/2" Size							
7B41	6	6	A	T	P	05	